

**SPEED**  
433 01.16

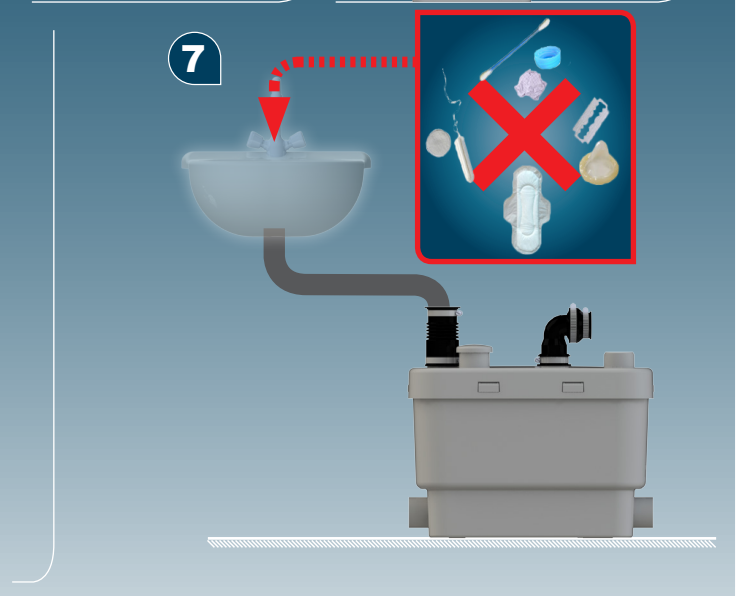
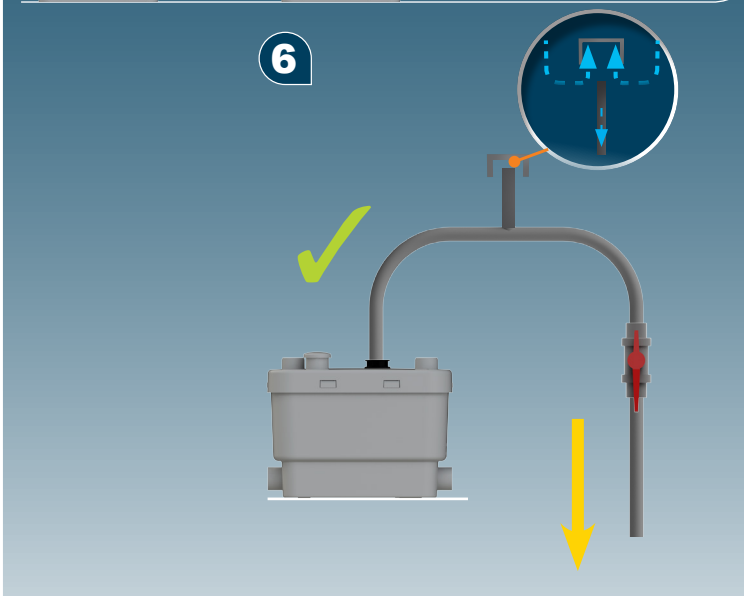
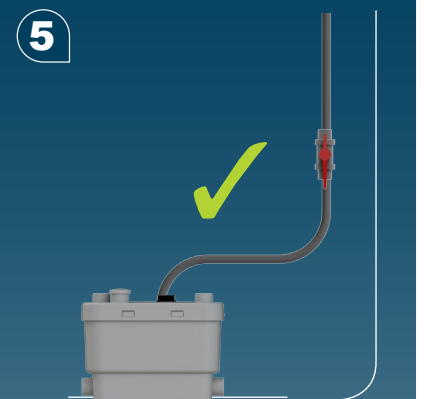
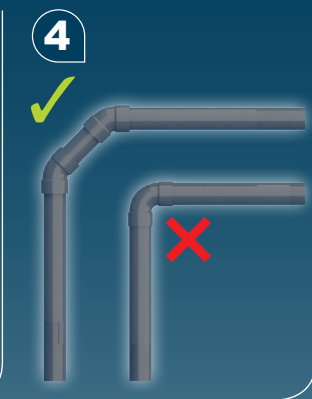
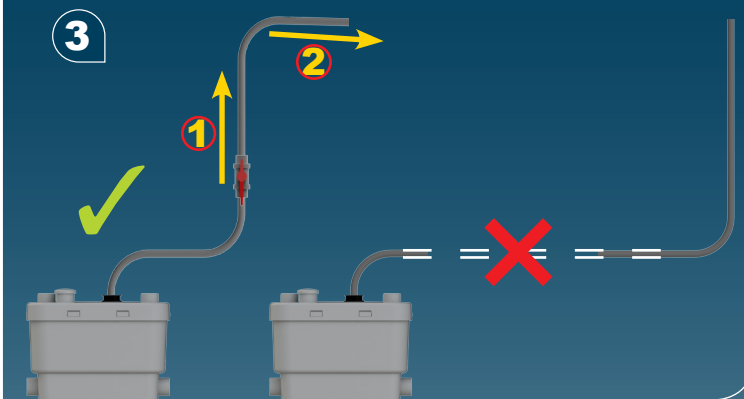
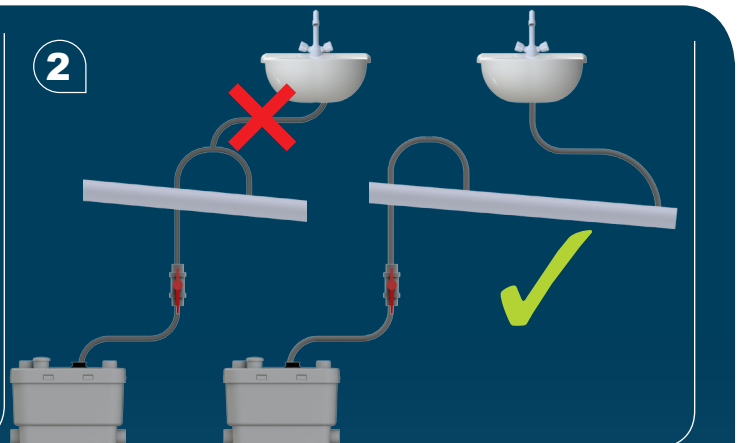
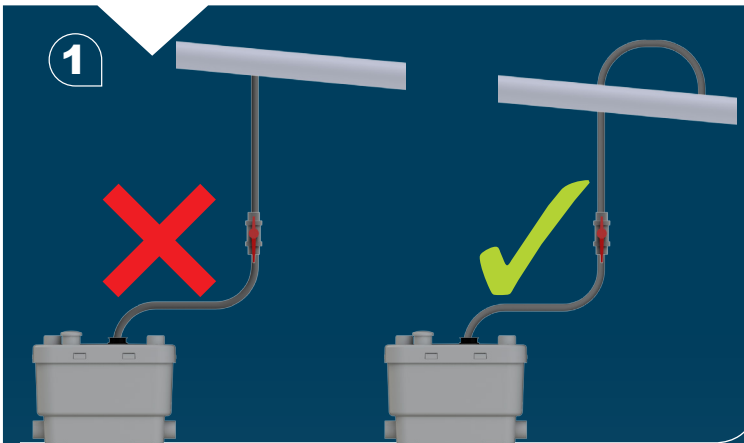
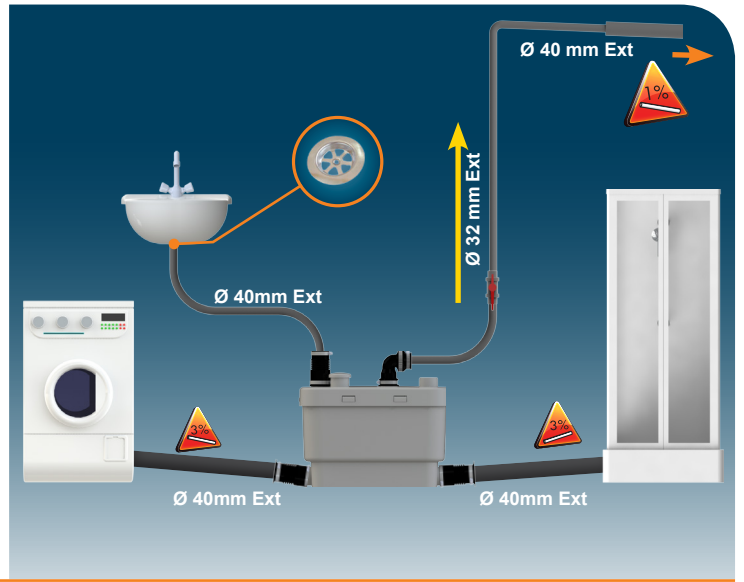
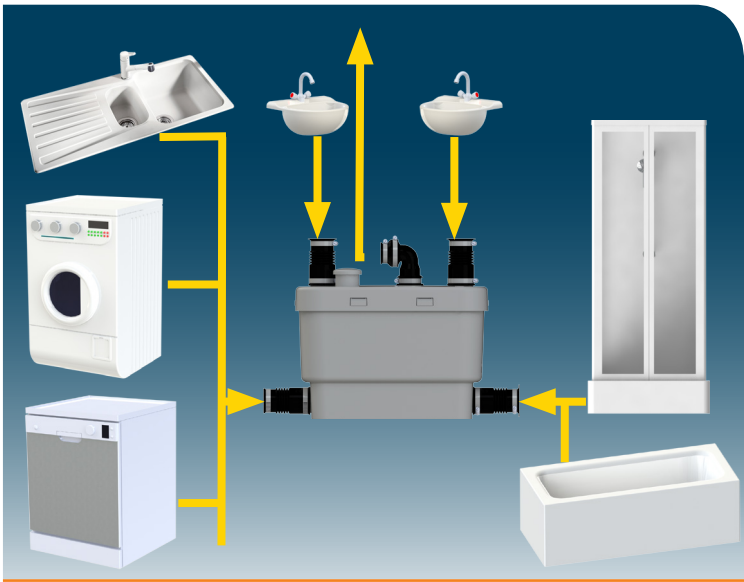
# SFA

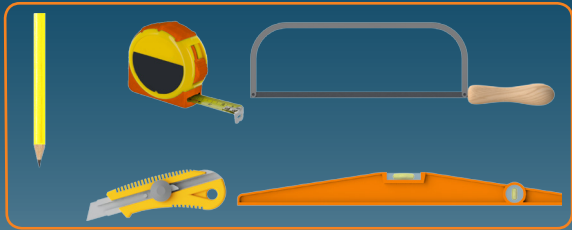
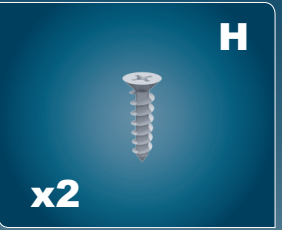
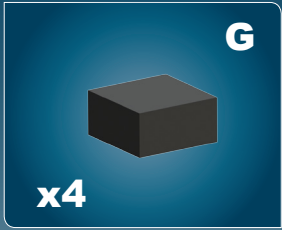
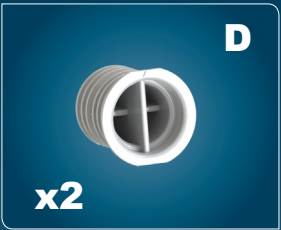


**SANISPEED®**

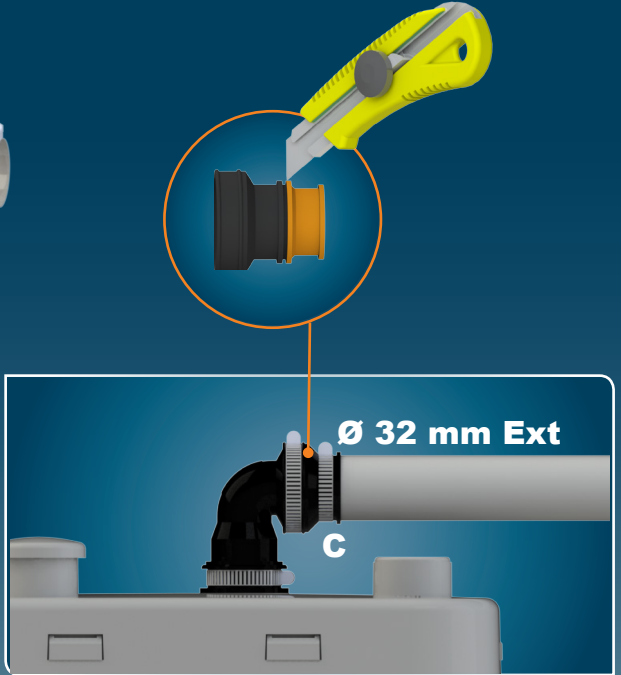
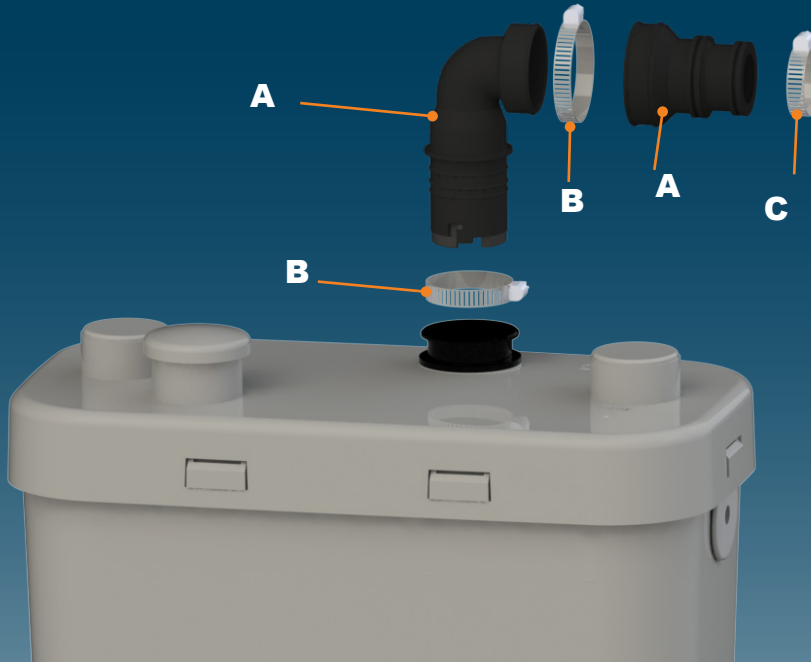
- |  |  |   |
|--|--|---|
| <b>FR</b> NOTICE D'INSTALLATION          | <b>SE</b> INSTALLATIONSANVISNING               | <b>RO</b> MANUAL DE INSTALARE           |
| <b>UK</b> INSTALLATION INSTRUCTIONS      | <b>DK</b> INSTALLATIONSVEJLEDNING              | <b>CZ</b> NÁVOD K INSTALACI A POUŽÍVÁNÍ |
| <b>DE</b> INSTALLATIONSHINWEISE          | <b>NO</b> INSTALLASJONSANVISNING               | <b>TR</b> KURULUM KILAVUZU              |
| <b>IT</b> ISTRUZIONI PER L'INSTALLAZIONE | <b>FI</b> ASENNUSOHJEET                        | <b>CN</b> 用户应保留安装指南以备                   |
| <b>ES</b> MANUAL DE INSTALACIÓN          | <b>HU</b> FELSZERELÉSI ÉS KEZELÉSI ÚTMUTATÓ    | <b>KR</b> 설치내용서                         |
| <b>BR</b> <b>PT</b> MANUAL DE INSTALAÇÃO | <b>PL</b> INSTRUKCJA INSTALACJI                | <b>HR</b> UPUTA ZA INSTALACIJU          |
| <b>NL</b> INSTALLATIE VOORSCHRIFTEN      | <b>RU</b> ИНСТРУКЦИЯ ПО МОНТАЖУ И ЭКСПЛУАТАЦИИ | <b>AR</b> بيكرتلا قرط                   |

CE

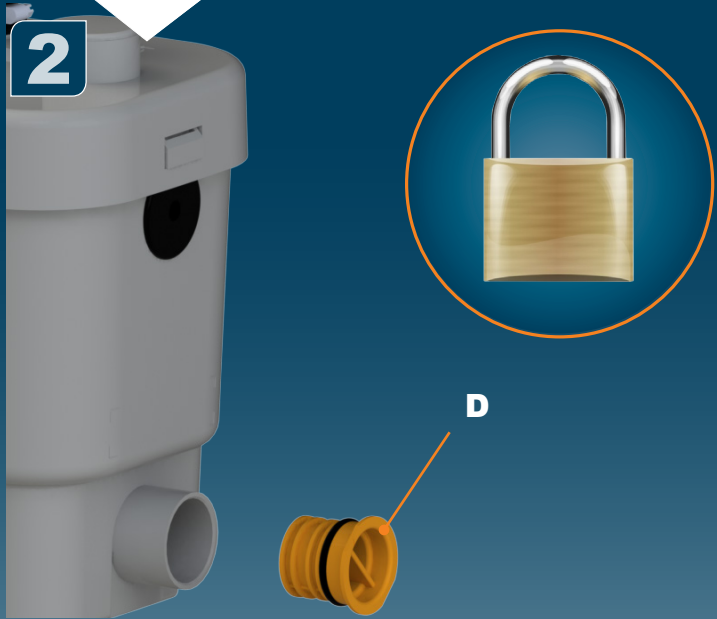




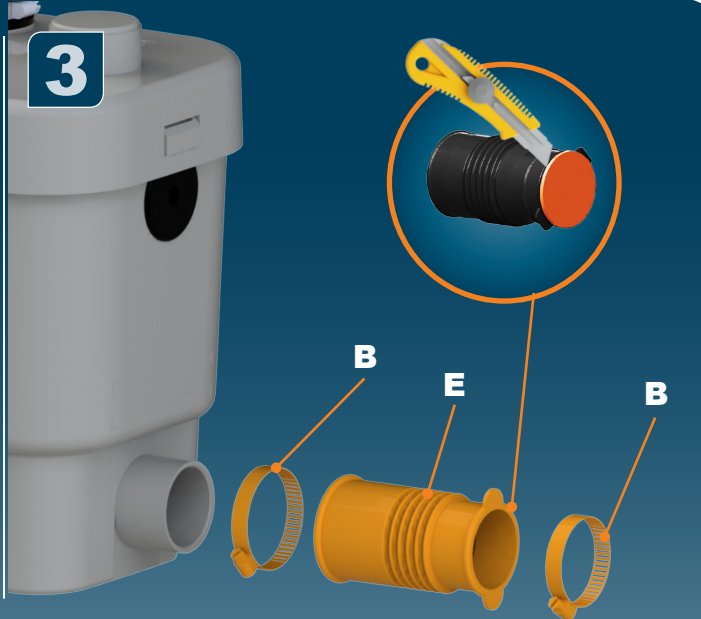
1



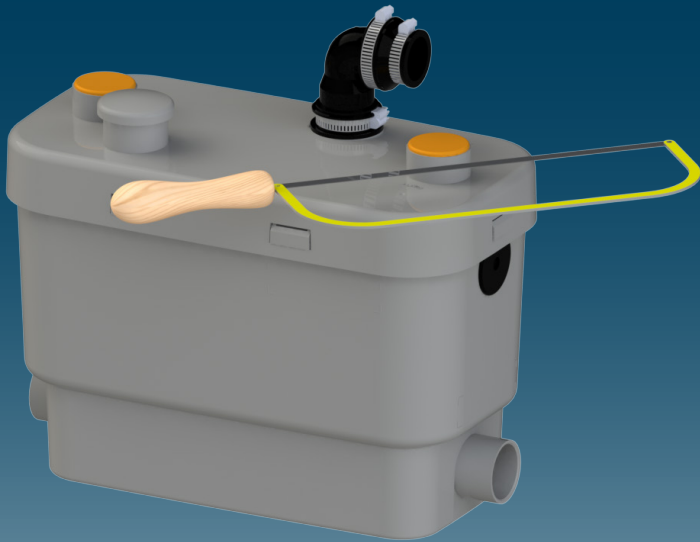
2



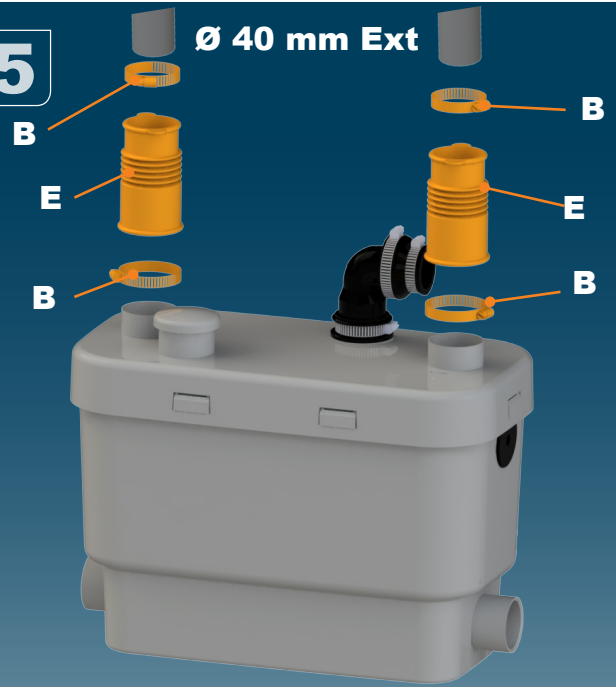
3



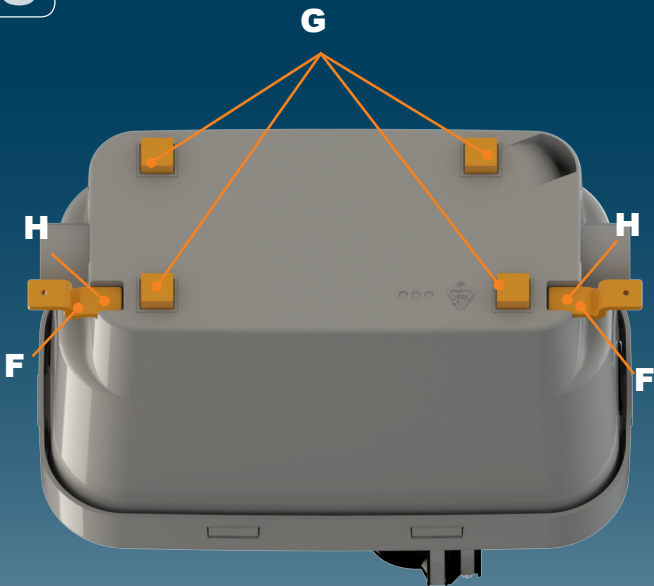
4



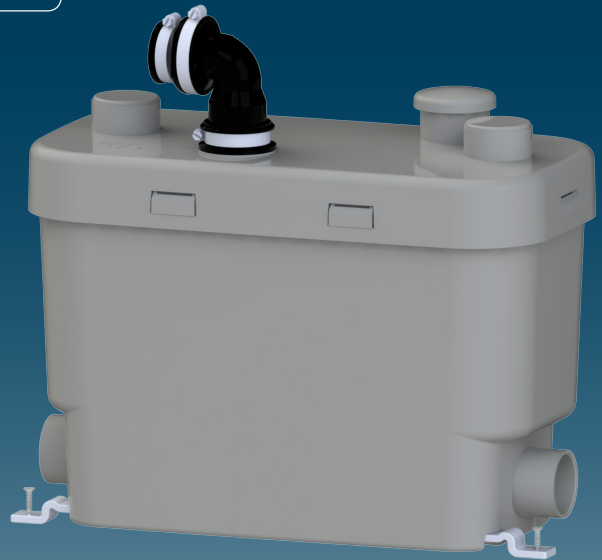
5



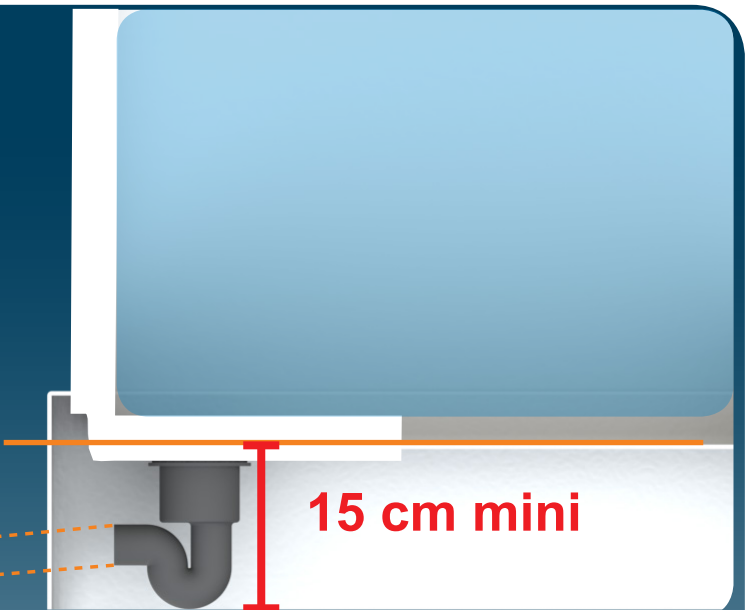
6

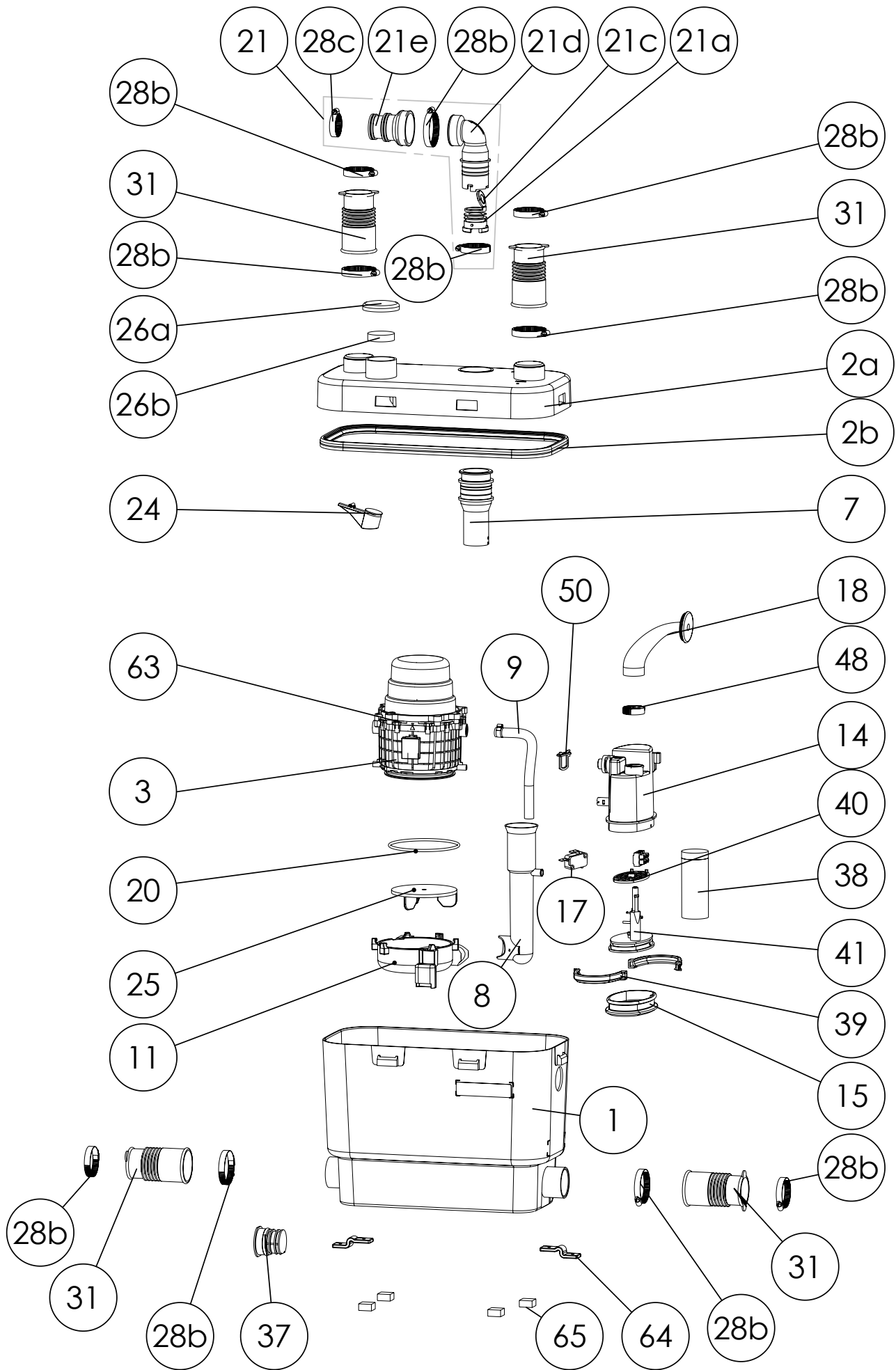


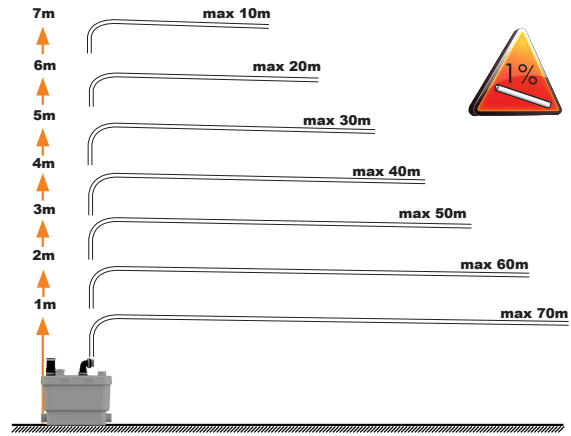
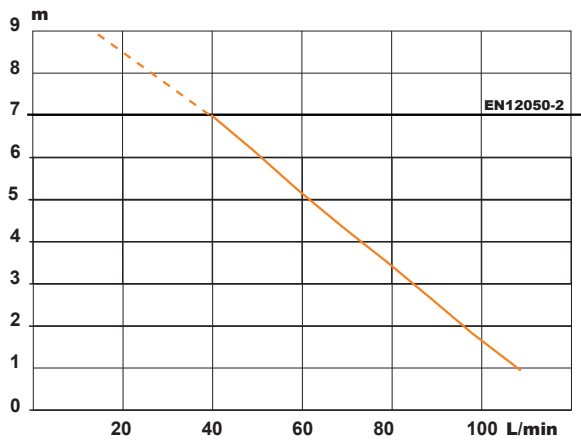
7



8

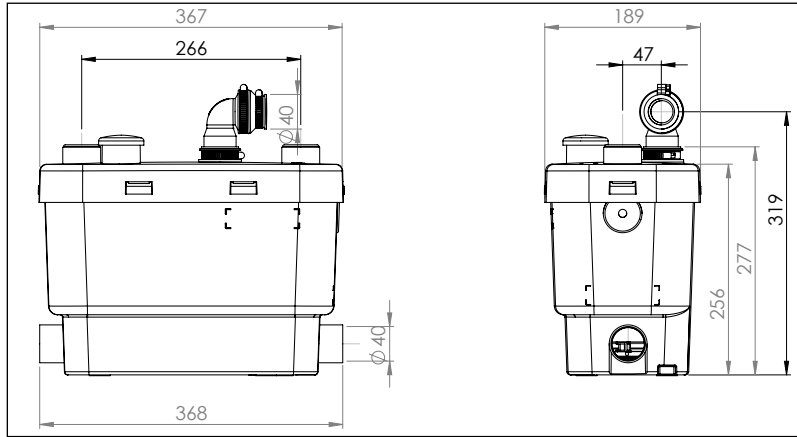






## SANISPEED

**V45**  
**EN 12050-2**  
**MAX 75 °C (5 min)**  
**220-240 V - 50/60 Hz**  
**400 W - IP44 - 2 A - ⚡**  
**6,4 KG**



### FRANCE

**SOCIÉTÉ FRANÇAISE  
D'ASSAINISSEMENT**  
 41 bis avenue Bosquet - 75007 Paris  
 Tél. +33 1 44 82 39 00  
 Fax +33 1 44 82 39 01

### UNITED KINGDOM

**SANIFLO Ltd.,**  
 Howard House, The Runway  
 South Ruislip Middx.,  
 HA4 6 SE  
 Tel. +44 208 842 0033  
 Fax +44 208 842 1671

### IRELAND

**SANIRISH Ltd**  
 IDA Industrial Estate  
 Edenderry - County Offaly  
 Tel. + 353 46 9733 102  
 Fax + 353 46 97 33 093

### AUSTRALIA

**SANIFLO (Australasia) Pty Ltd**  
 Unit 9/10, 25 Gibbes Street  
 Chatswood NSW 2067  
 Tel. +61 298 826 200  
 Fax +61 298 826 950

### DEUTSCHLAND

**SFA SANIBROY GmbH**  
 Waldstr. 23 Geb. B5 - 63128  
 Dietzenbach  
 Tel. (060 74) 30928-0  
 Fax (060 74) 30928-90

### ITALIA

**SFA ITALIA spa**  
 Via del Benessere, 9  
 27010 Sizzano (PV)  
 Tel. 03 82 61 81  
 Fax 03 82 61 8200

### ESPAÑA

**SFA S.L.**  
 C/ Vinyalets, 1 - P.I. Can Vinyalets  
 08130 Sta. - Perpètua de Mogoda -  
 Barcelona  
 Tel. +34 93 544 60 76  
 Fax +34 93 462 18 96

### PORTUGAL

**SFA, Lda.**  
 Sintra Business Park, ed.01-  
 1ºP2710-089 SINTRA  
 Tel. +35 21 911 27 85  
 Fax +35 21 957 70 00

### РОССИЯ

**SFA РОССИЯ**  
 101000 Москва - Колпачный переулок 9а  
 Тел. (495) 258 29 51  
 Факс. (495) 258 29 51

### SUISSE SCHWEIZ SVIZZERA

**SFA SANIBROY AG**  
 Vorstadt 4  
 3380 Wangen a. A.  
 Tel. + 41 (0)32 631 04 74  
 Fax + 41 (0)32 631 04 75

### BENELUX

**SFA BENELUX B.V.**  
 Voltaweg 4  
 6101 XK Echt (NL)  
 Tel. +31 475 487100  
 Fax +31 475 486515

### SVERIGE

**SANIFLO AB**  
 BOX 797  
 S-191 27 Sollentuna  
 Tel. +46 (0)8-404 15 30  
 info@saniflo.se

### POLSKA

**SFA POLAND Sp. z o.o.**  
 ul. Białolecka 168  
 03-253 Warszawa  
 Tel. (+4822) 732 00 32  
 Fax (+4822) 751 35 16

### ČESKÁ REPUBLIKA

**SFA-SANIBROY, spol. s r.o**  
 Na Košince č.ev. 681- 180 00 PRAHA8 -  
 Libeň  
 Tel. +420 266 712 855  
 Fax, +420 266 712 856

### ROMANIA

**SFA SANIFLO S.R.L.**  
 145B Foisorului Street District 3  
 31177 BUCURESTI  
 Tel. +40 256 245 092  
 Fax +40 256 245 029

### TÜRKIYE

**SFA SANIHYDRO LTD STI**  
 Mecidiye Cad No:36-B Sevencan APT  
 34394 MECIDIYEKÖY - ISTANBUL  
 Tel. +90 212 275 30 88  
 Fax, +90 212 275 90 58

### CHINA

**SFA 中国**  
 上海市静安区石门二路333弄3号振安  
 广场恒安大厦27C (200041)  
 Tel. +86(0)21 6218 8969  
 Fax. +86(0)21 6218 8970

### KOREA

**www.SFA.biz**  
 sales@saniflo-korea.kr

### South Africa

**Saniflo Africa (PTY) Ltd**  
 Unit A6 , Spearhead Business Park  
 Cnr. Freedom Way & Montague Drive  
 Montague Gardens, 7441  
 Tél : +27 (0) 21 286 00 28  
 info@saniflo.co.za

### BRAZIL

**SFA Brasil Equipamentos Sanitários,**  
 Rua Maria Figueiredo 595  
 CEP 04002-003 SAO PAULO / SP  
 Tel. (11) 3052-2292  
 www.sanitrit.com.br

## SERVICE HELPLINES

	TEL	FAX			
France	01 44 82 25 55	03 44 94 46 19	Benelux	+31 475 487100	+31 475 486515
United Kingdom	08457 650011 (Call from a land line)	020 8842 1671	Sverige	+46 (0)8-404 15 30	
Ireland	1850 23 24 25 (LOW CALL)	+ 353 46 97 33093	Norge	+46 (0)8-404 15 30	
Australia	+1300 554 779	+61 2.9882.6950	Polska	(+4822) 732 00 33	(+4822) 751 35 16
Deutschland	0800 82 27 82 0	(060 74) 30928-90	РОССИЯ	(495) 258 29 51	(495) 258 29 51
Italia	0382 6181	+39 0382 618200	Česká Republika	+420 266 712 855	+420 266 712 856
España	+34 93 544 60 76	+34 93 462 18 96	România	+40 256 245 092	+40 256 245 029
Portugal	+35 21 911 27 85	+35 21 957 70 00	Türkiye	+90 212 275 30 88	+90 212 275 90 58
Suisse Schweiz Svizzera	+41 (0)32 631 04 74	+41 (0)32 631 04 75	中国	+86(0)21 6218 8969	+86(0)21 6218 8970
			Brazil	(11) 3052-2292	

Service information : [www.sfa.biz](http://www.sfa.biz)