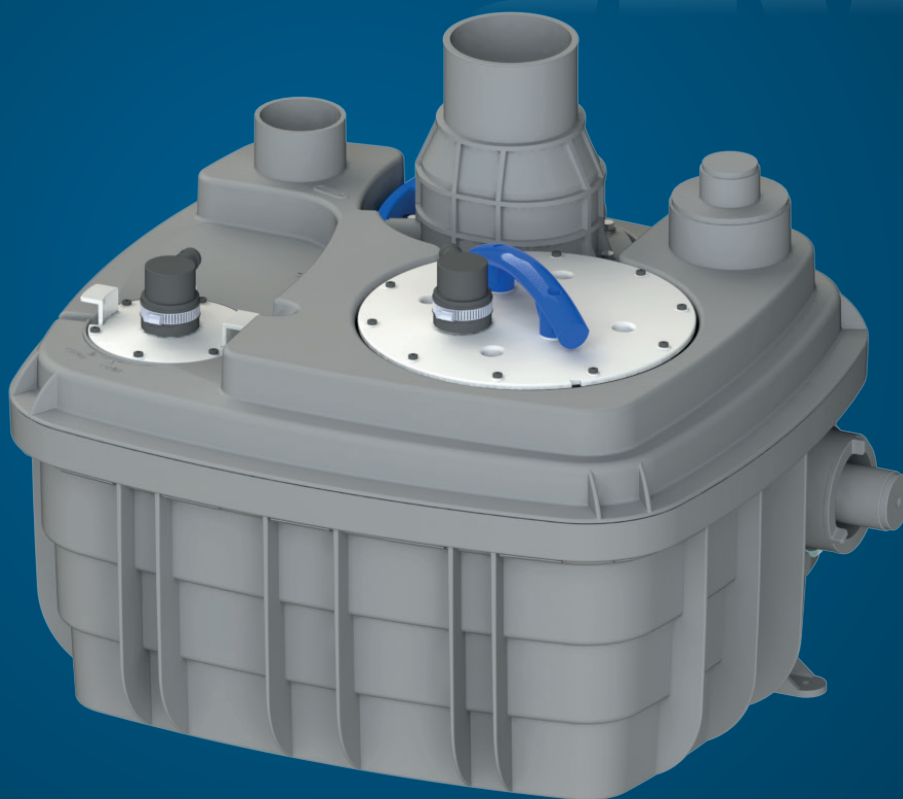


**CUBIC 1 VX**

172

11.18

# SFA



## SANICUBIC® 1 VX

**FR** NOTICE D'INSTALLATION

**UK** INSTALLATION INSTRUCTIONS

**DE** INSTALLATIONSHINWEISE

**IT** STRUZIONI PER L'INSTALLAZIONE

**ES** MANUAL DE INSTALACIÓN

**PT** MANUAL DE INSTALAÇÃO

**NL** INSTALLATIE VOORSCHRIFTEN

**SE** INSTALLATIONSANVISNING

**DK** INSTALLATIONSVEJLEDNING

**NO** INSTALLASJONSANVISNING

**FI** ASENNUSOHJEET

**HU** FELSZERELÉSI ÉS KEZELÉSI ÚTMUTATÓ

**PL** INSTRUKCJA INSTALACJI

**RU** ИНСТРУКЦИЯ ПО МОНТАЖУ И ЭКСПЛУАТАЦИИ

**RO** MANUAL DE INSTALARE

**CZ** NÁVOD K INSTALACI A POUŽÍVÁNÍ

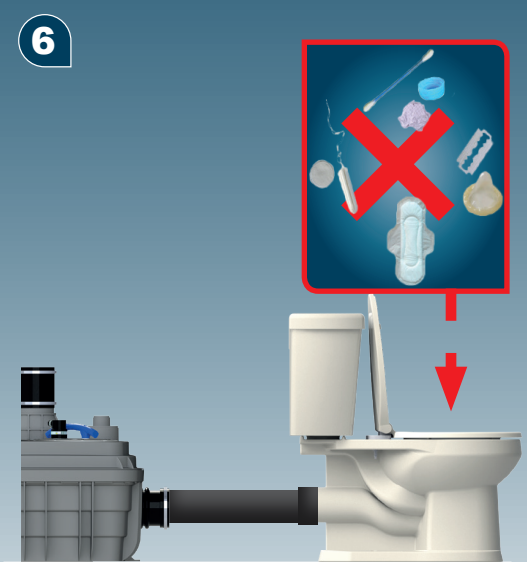
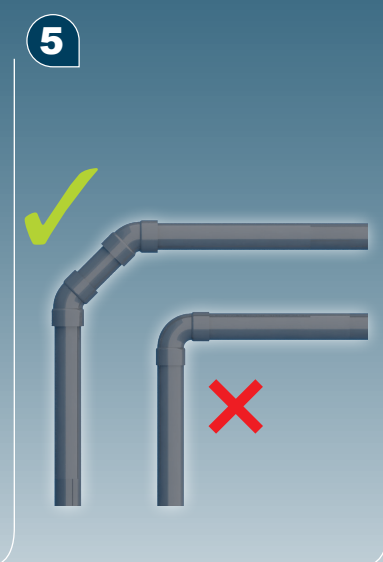
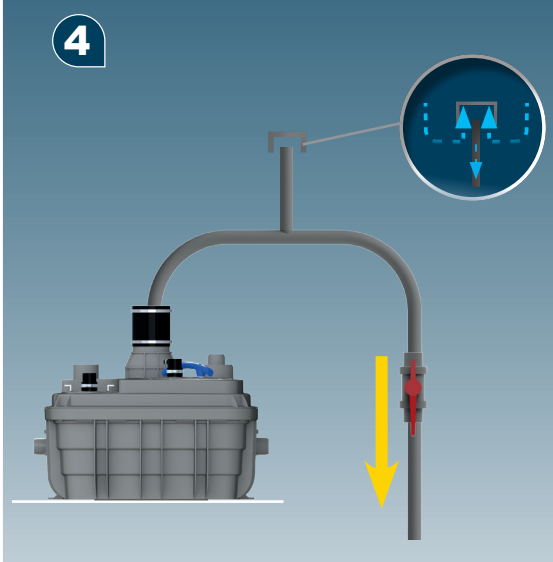
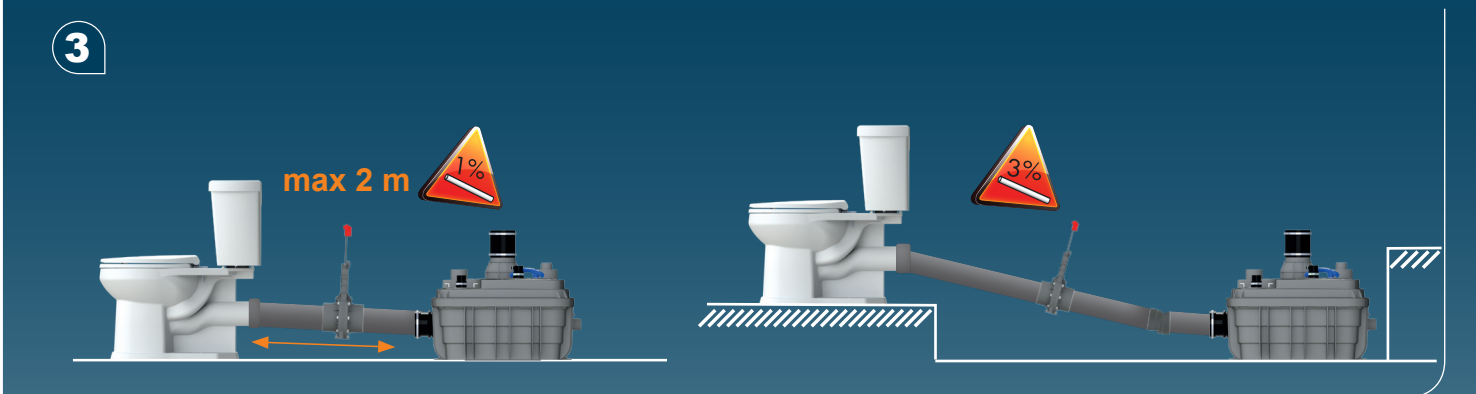
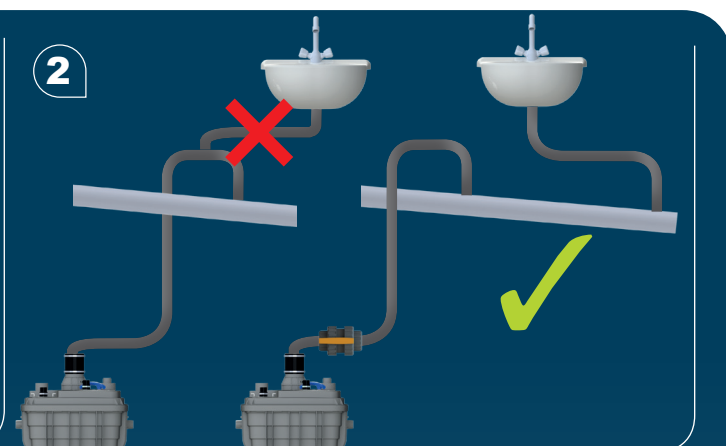
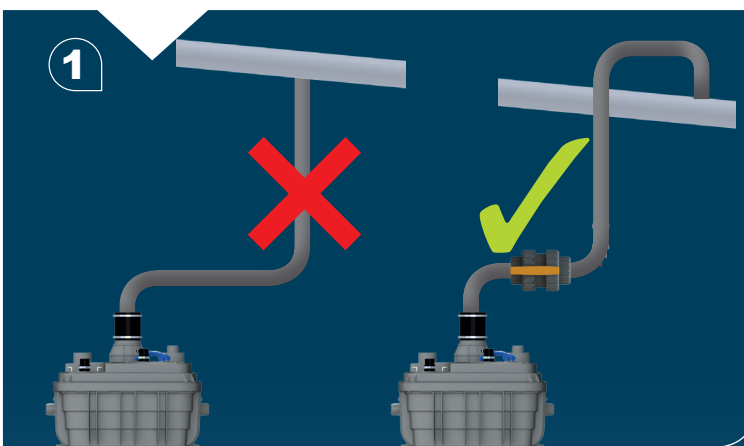
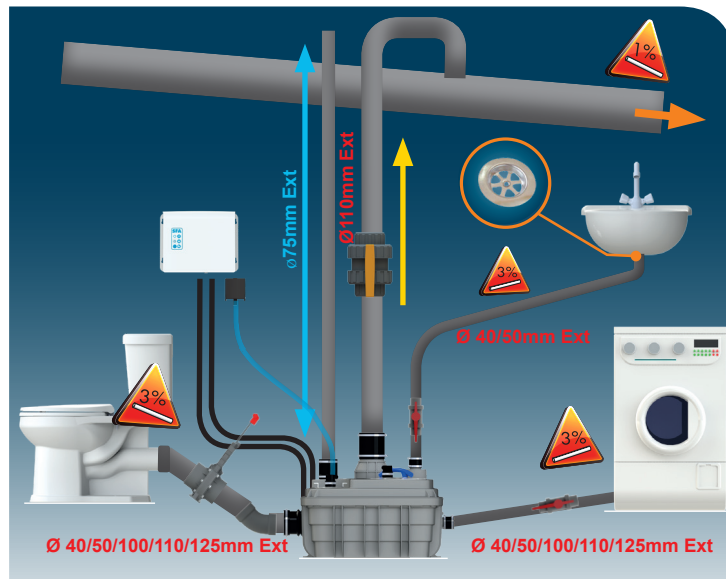
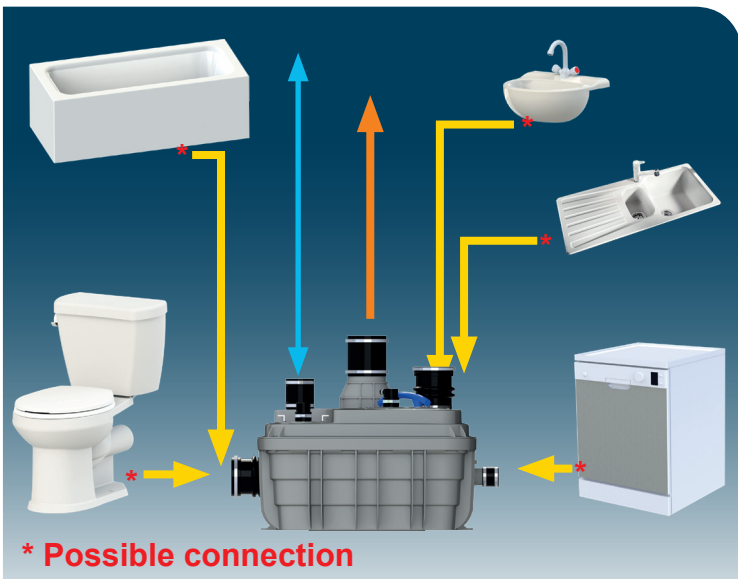
**TR** KURULUM KILAVUZU

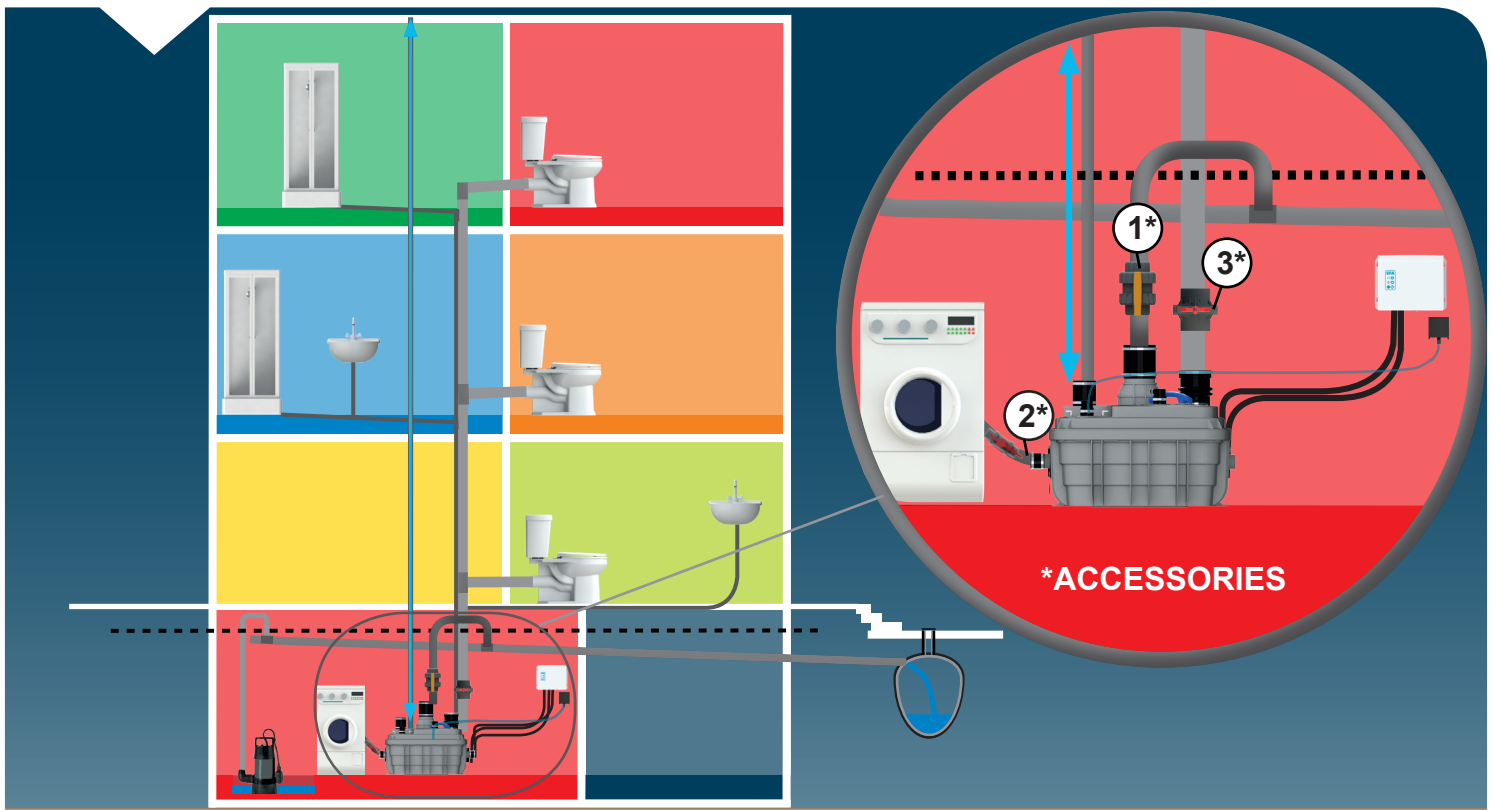
**EL** ΟΔΗΓΙΕΣ ΕΓΚΑΤΑΣΤΑΣΗΣ

**CN** 指南以备用

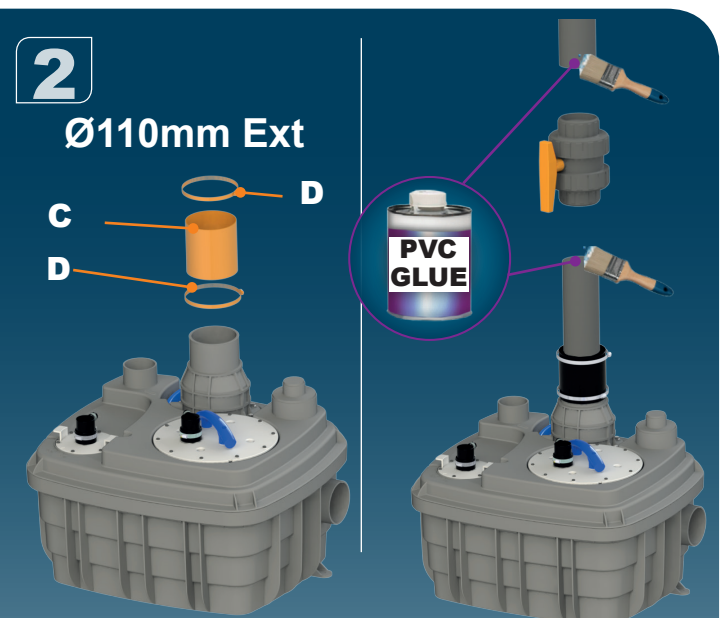
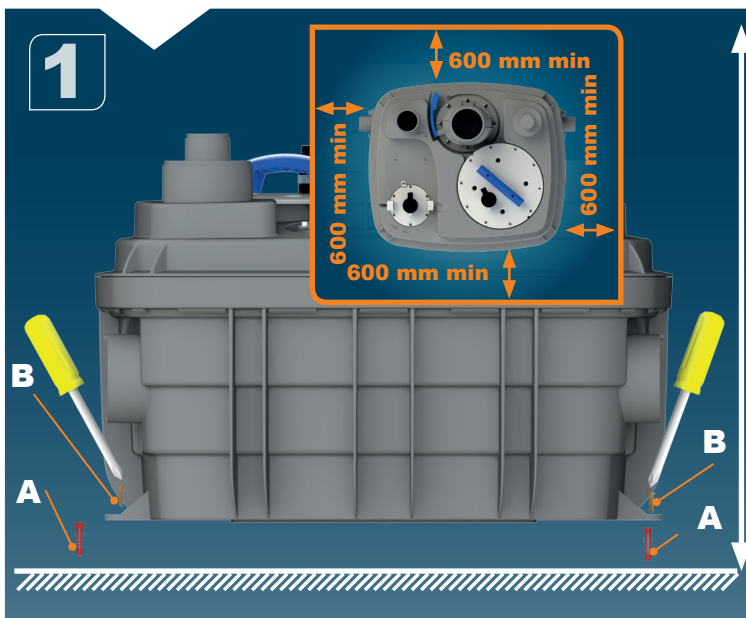
**KR** 설치내용서

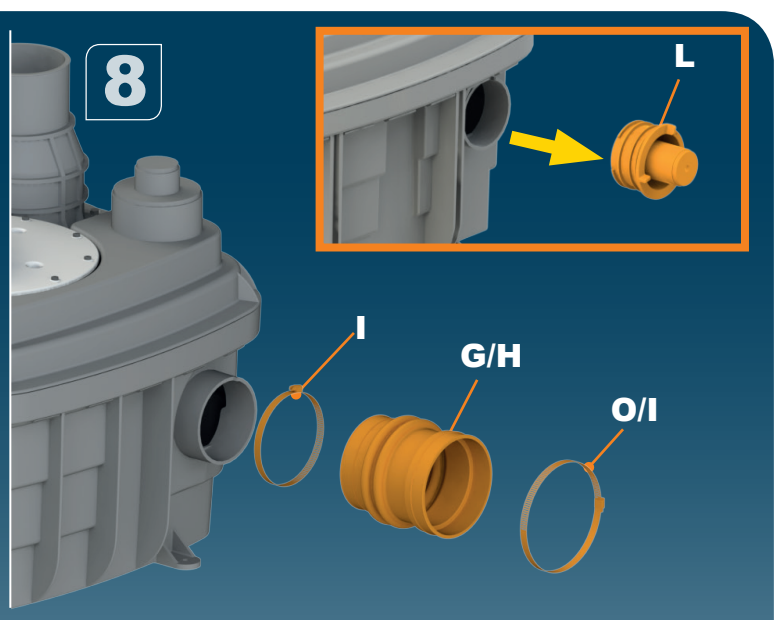
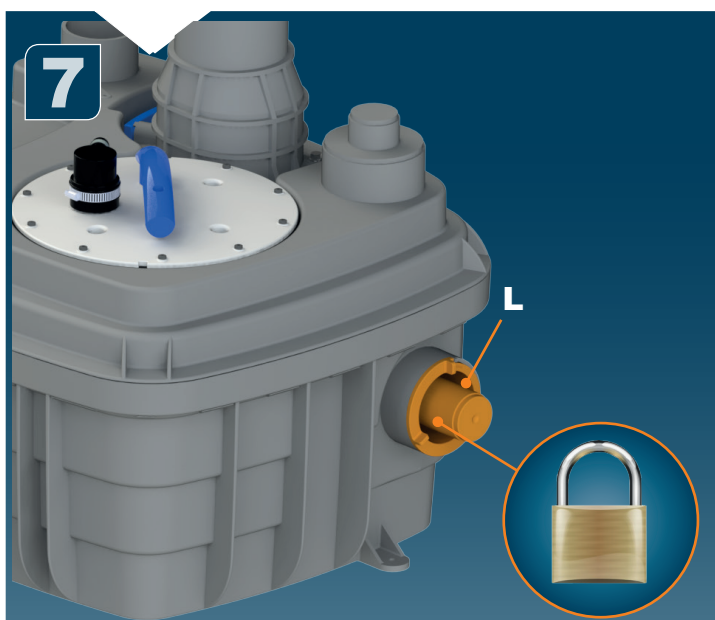
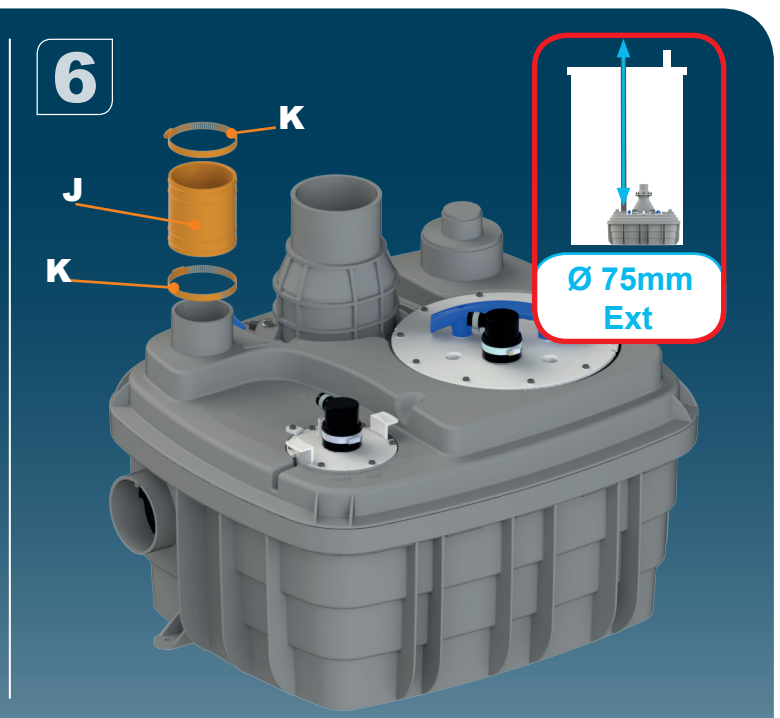
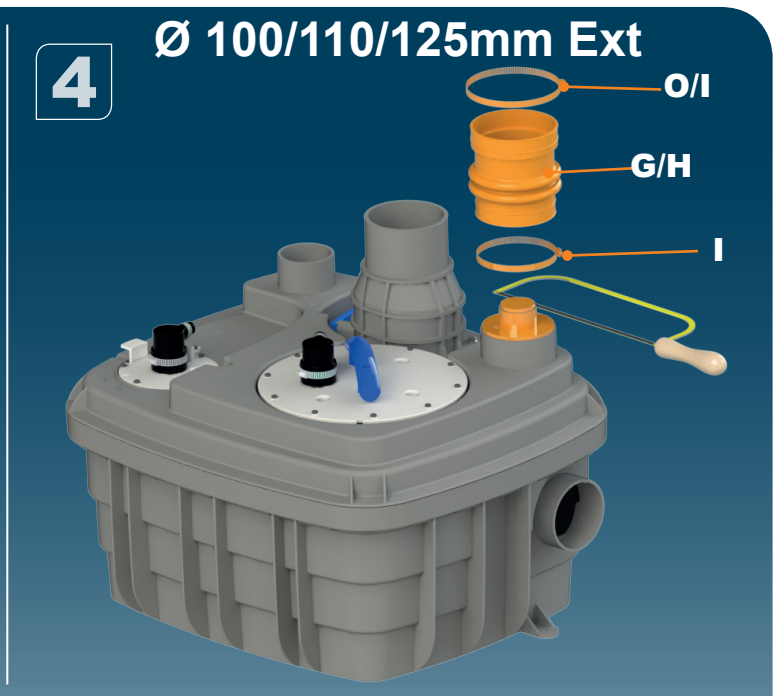
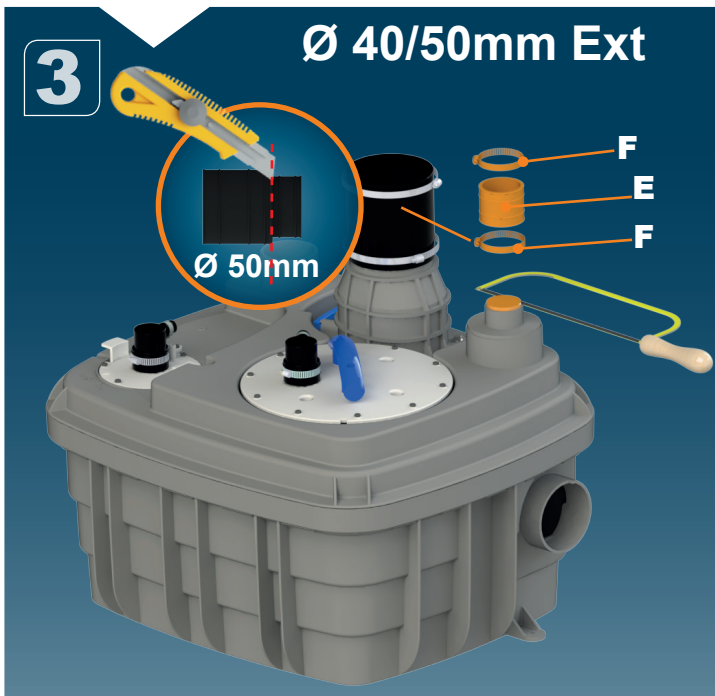
CE



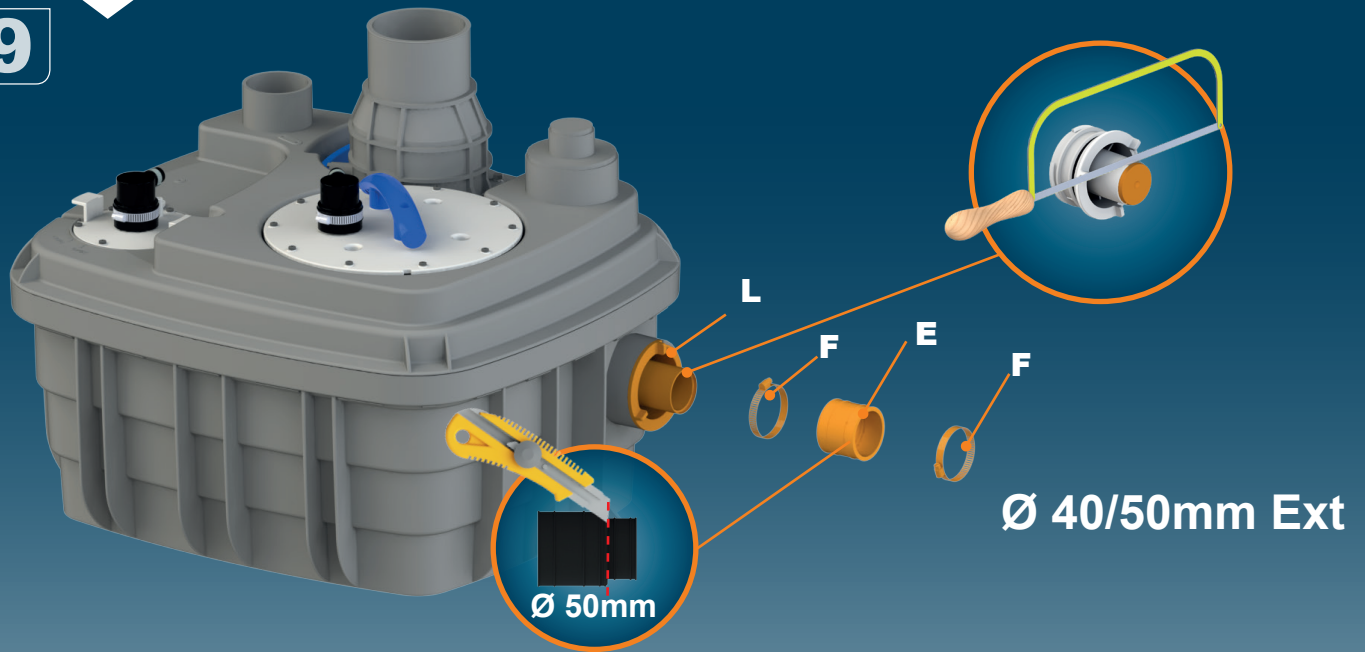


- |   |   |  |   |  |   |
|---|---|--|---|--|---|
| <br><b>A</b><br>x2                    | <br><b>B</b><br>x2              | <br><b>C</b><br>x1<br>Ø110mm   | <br><b>D</b><br>x2<br>118x126mm | <br><b>E</b><br>x4<br>Ø40/50mm | <br><b>F</b><br>x8<br>40x60 |
| <br><b>G</b><br>x1<br>Ø100/110/125mm | <br><b>H</b><br>x2<br>Ø100/110 | <br><b>I</b><br>x4<br>100/120 | <br><b>J</b><br>x1<br>Ø75mm    | <br><b>K</b><br>x2<br>80x100  | <br><b>L</b><br>x2         |
| <br><b>M</b><br>x1                   | <br><b>N</b><br>x1             | <br><b>O</b><br>x1<br>120/140 |                              |  |   |

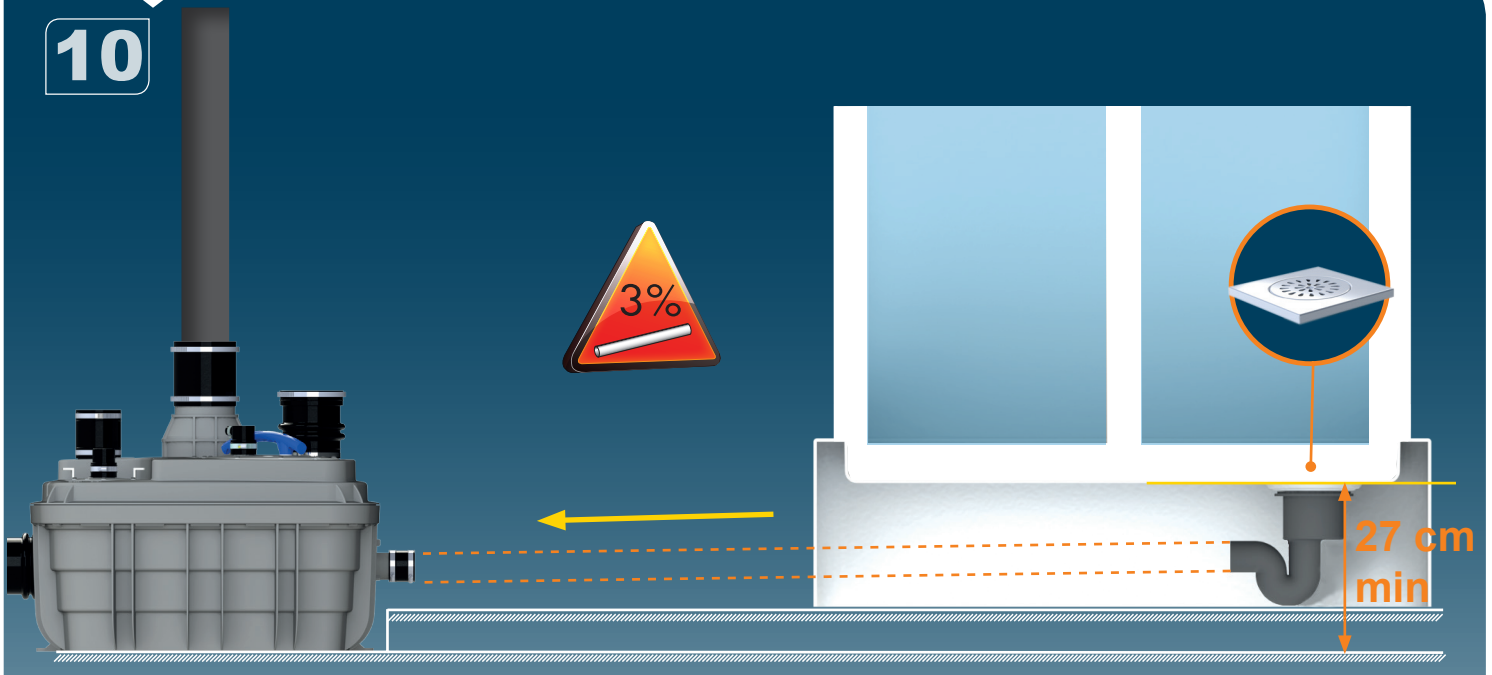




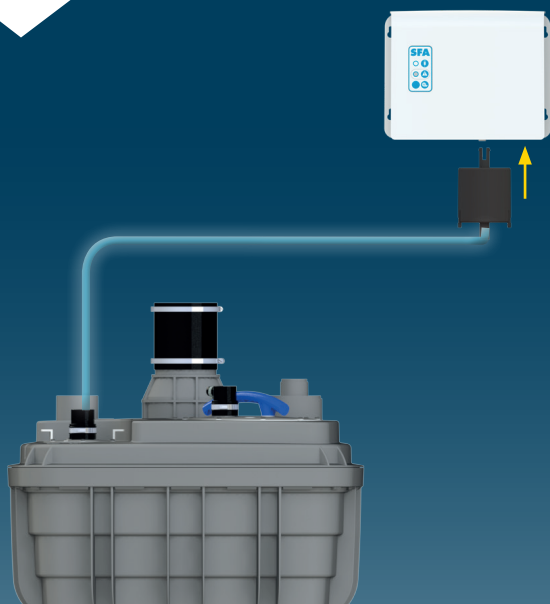
9



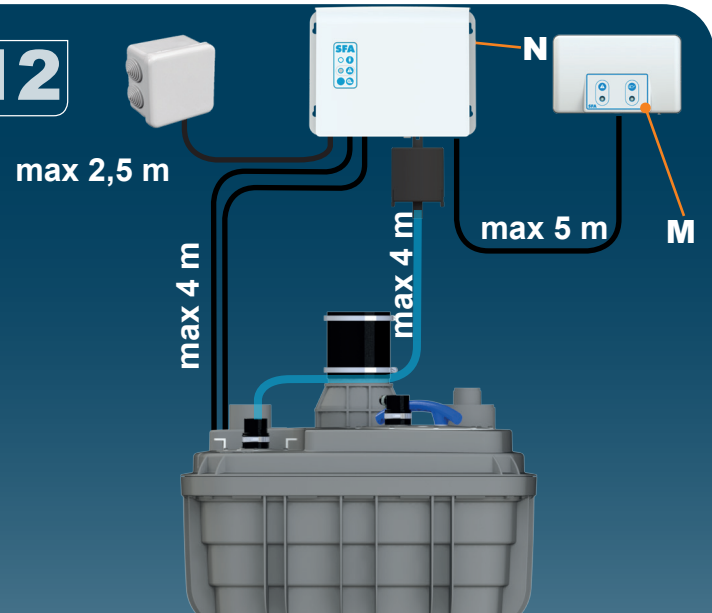
10

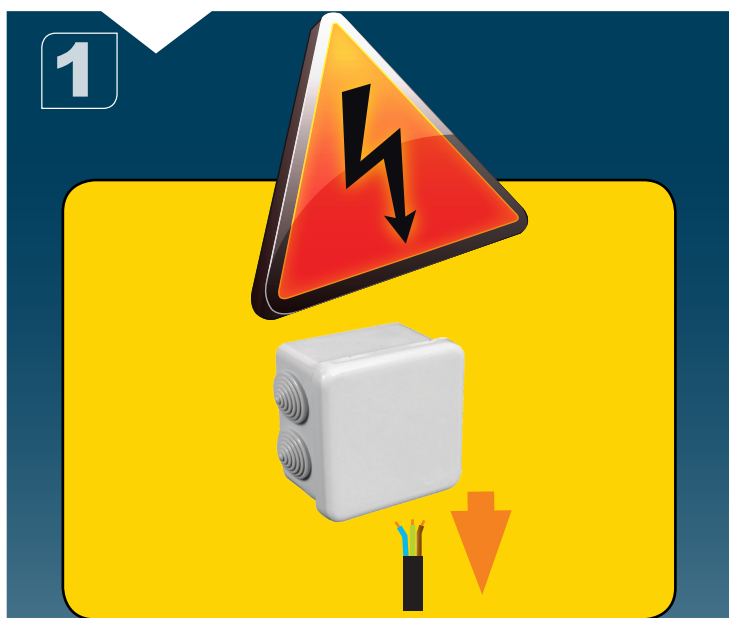
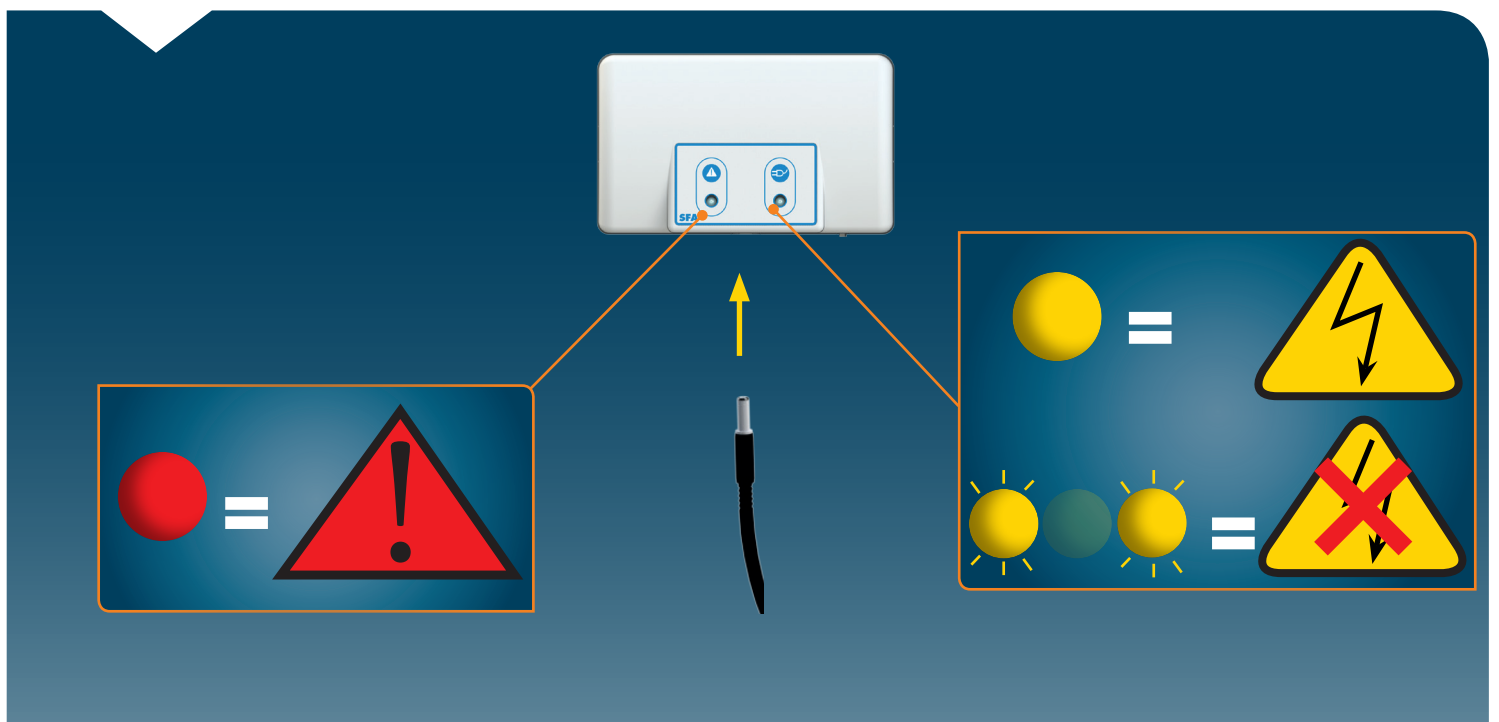
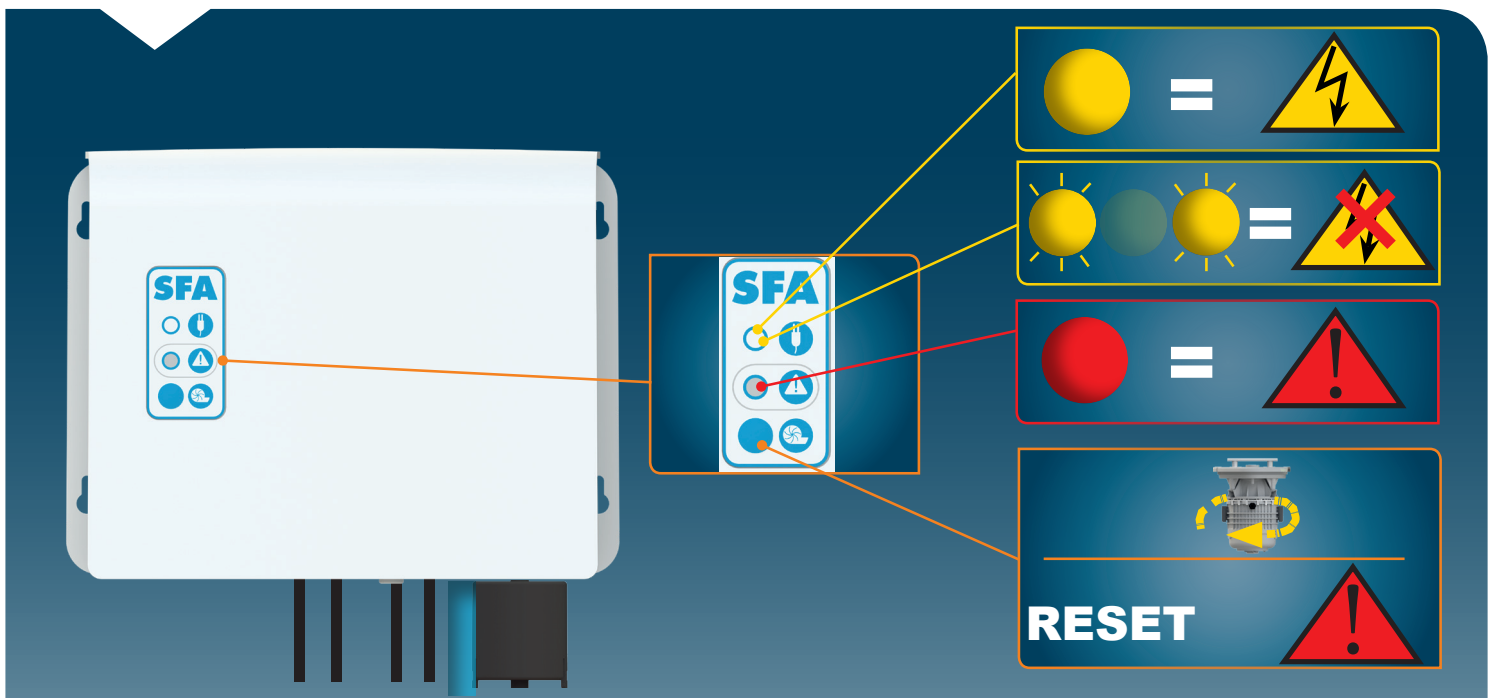


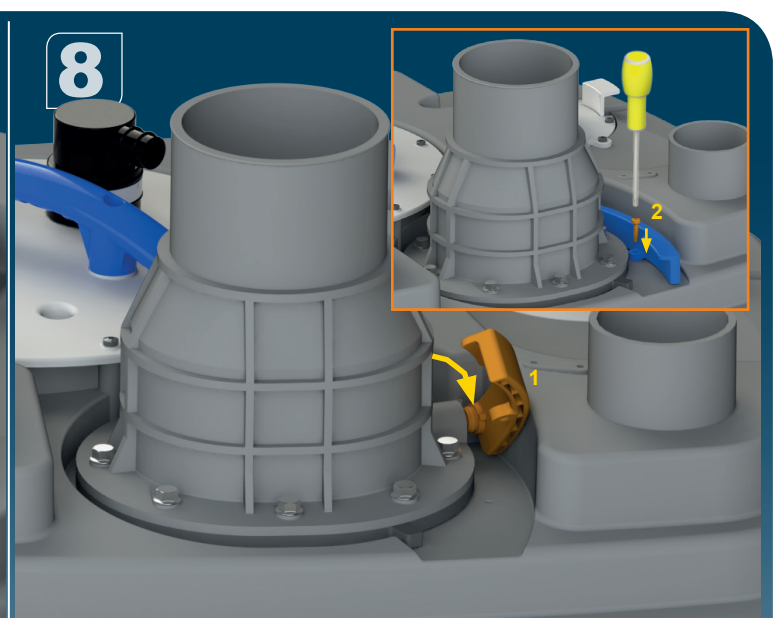
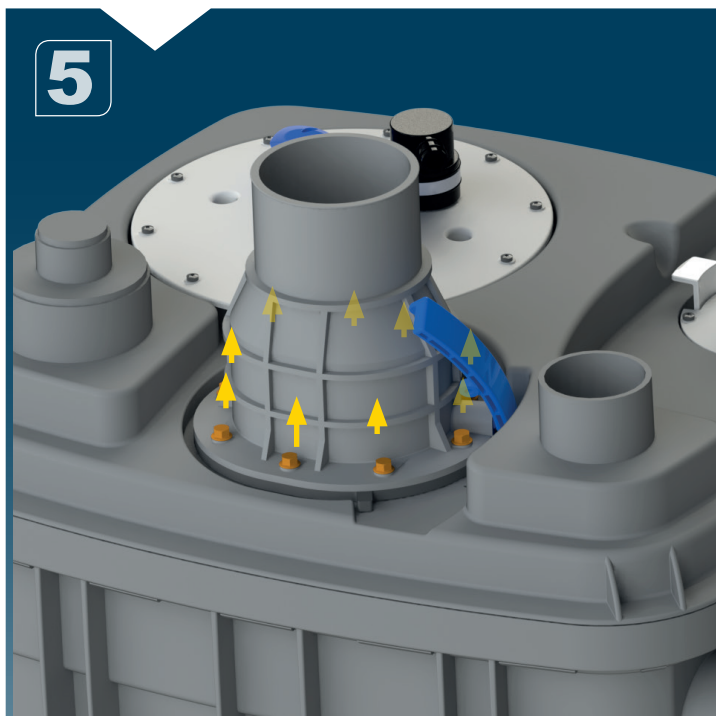
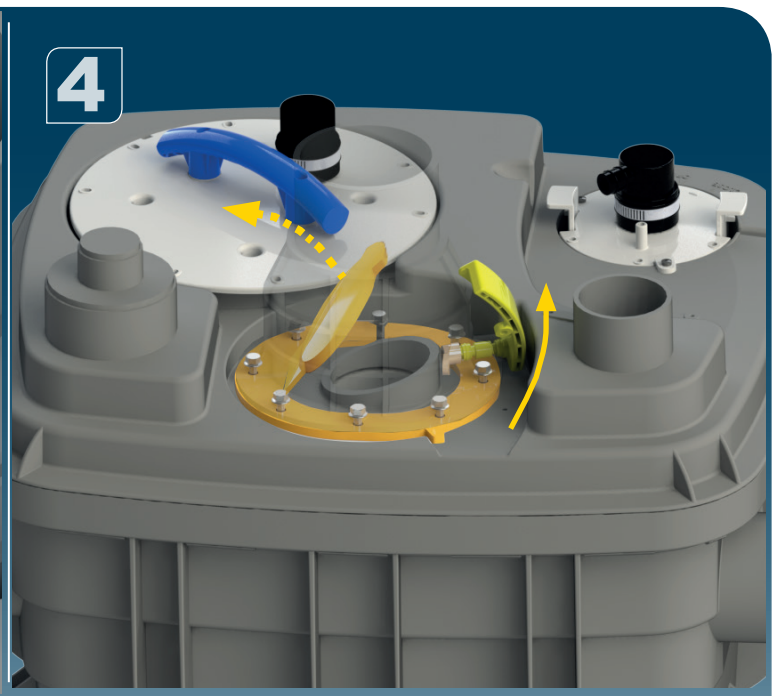
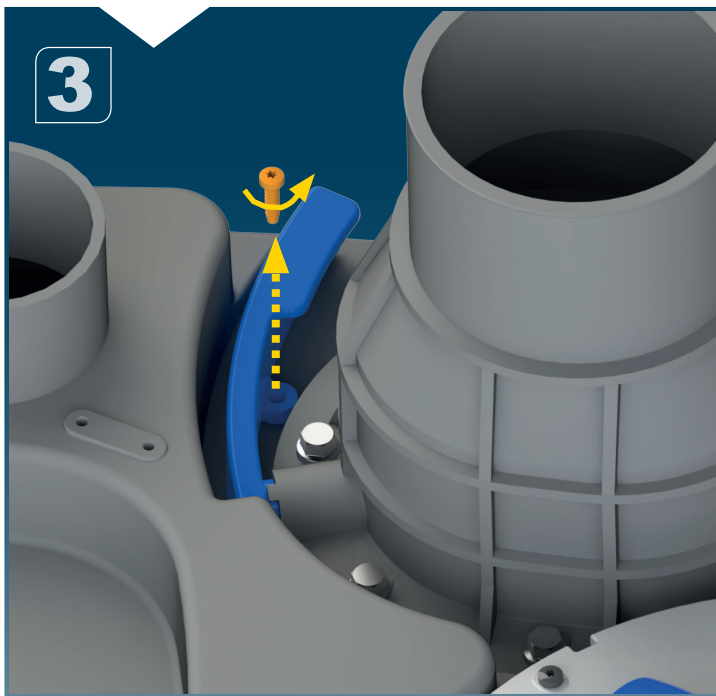
11

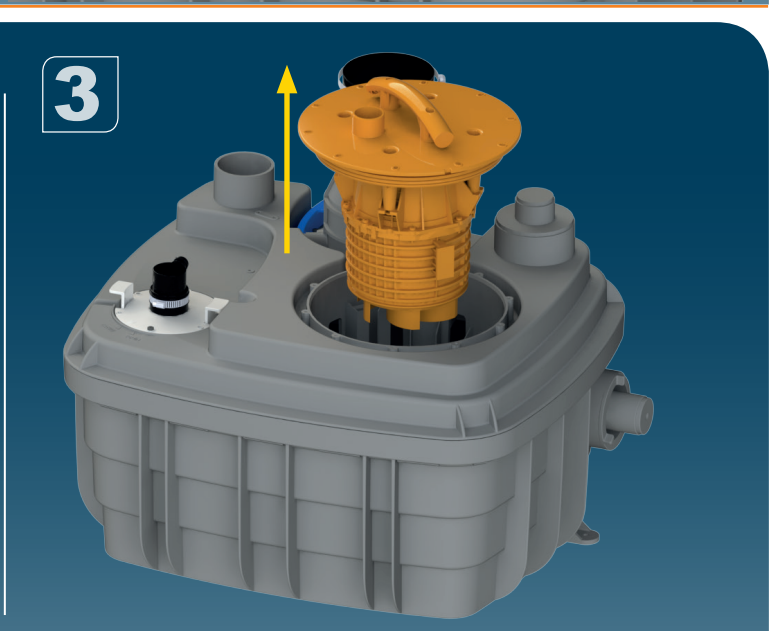
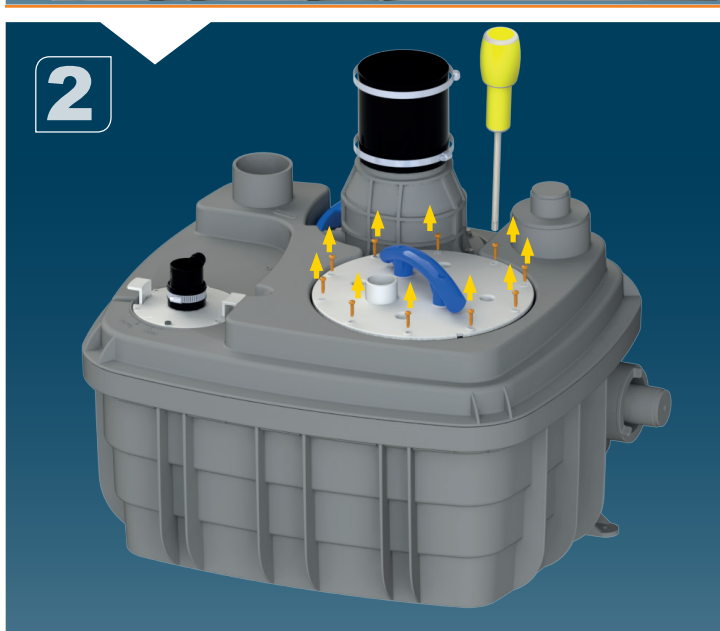
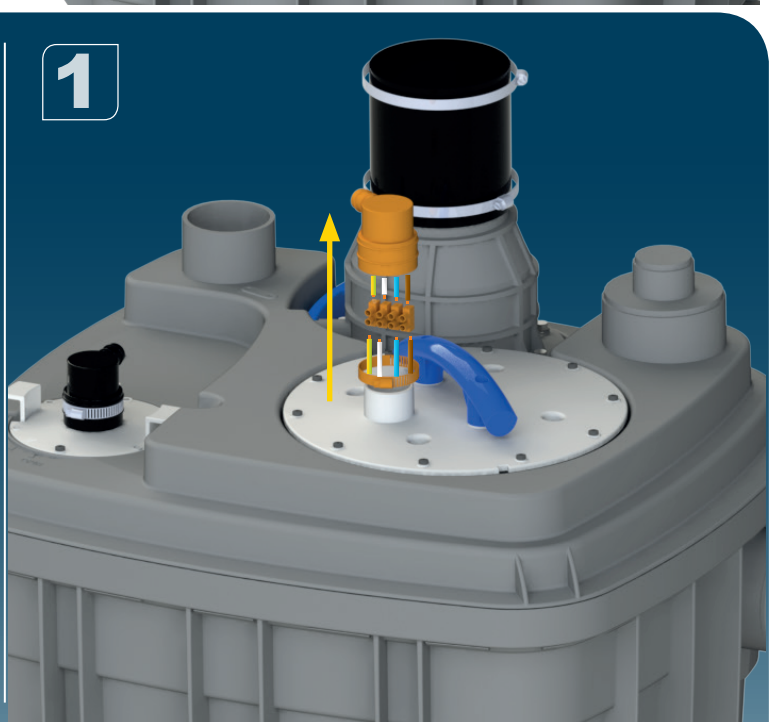
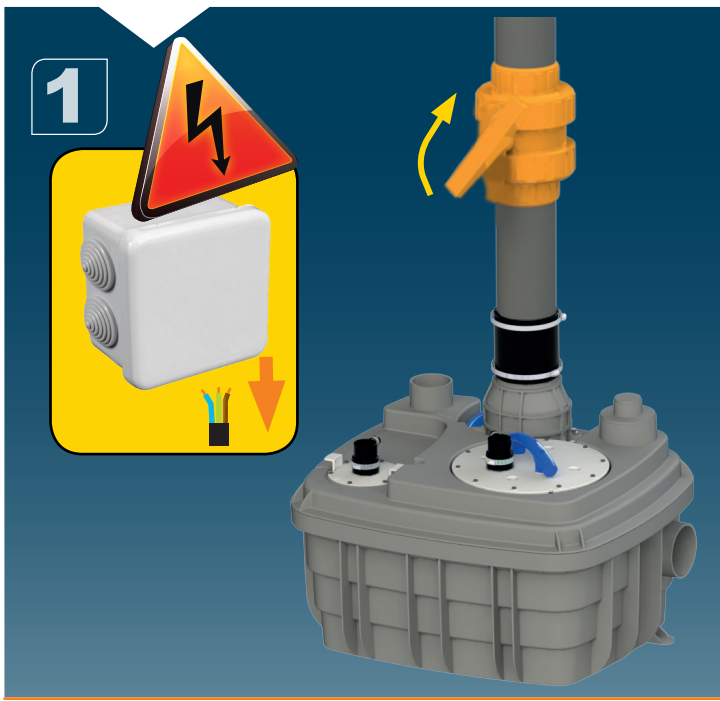


12









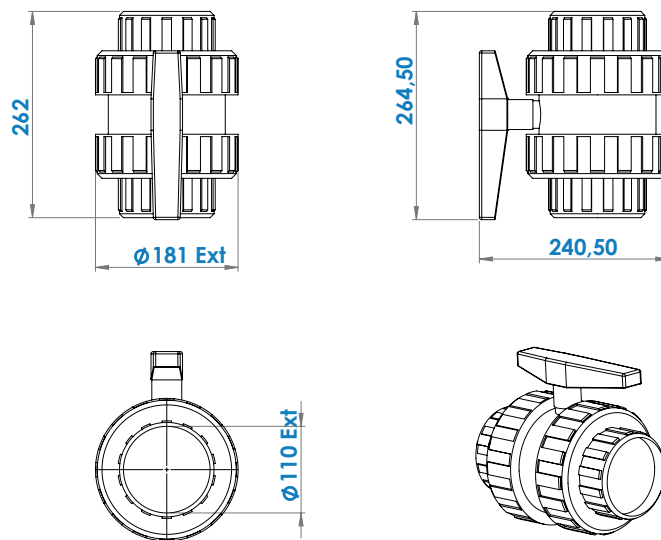


# ACCESSORIES OPTION

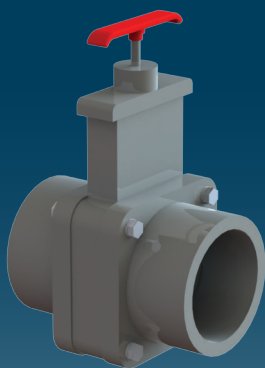
1



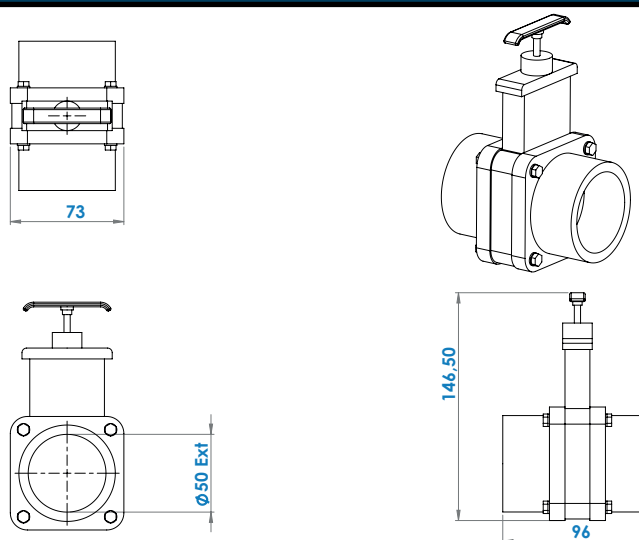
**Ø110mm Ext**  
For discharge pipe



2



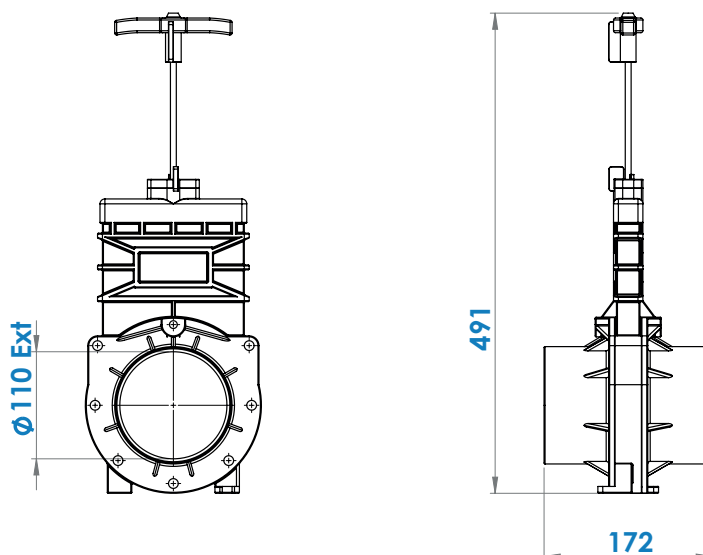
**Ø50mm Ext**  
For inlet pipe

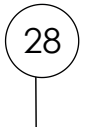
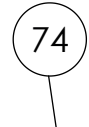
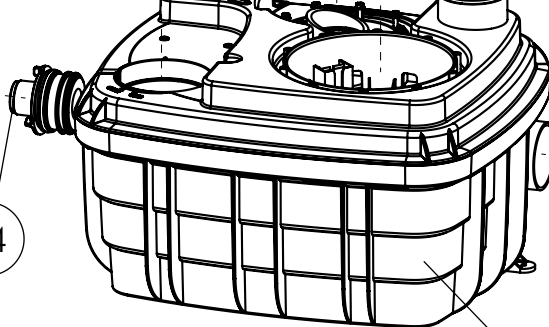
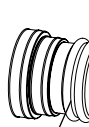
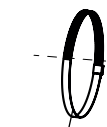
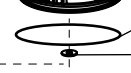
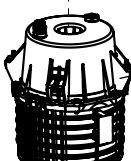
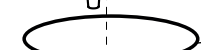
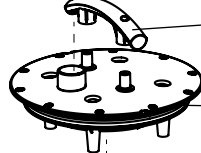
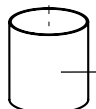
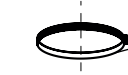
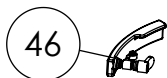
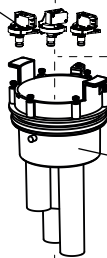
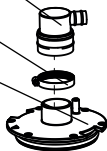
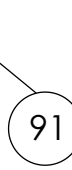
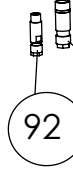
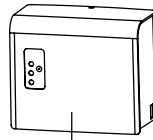
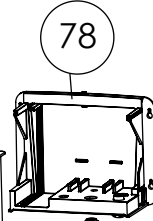
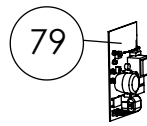
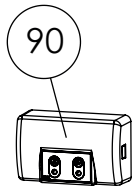


3

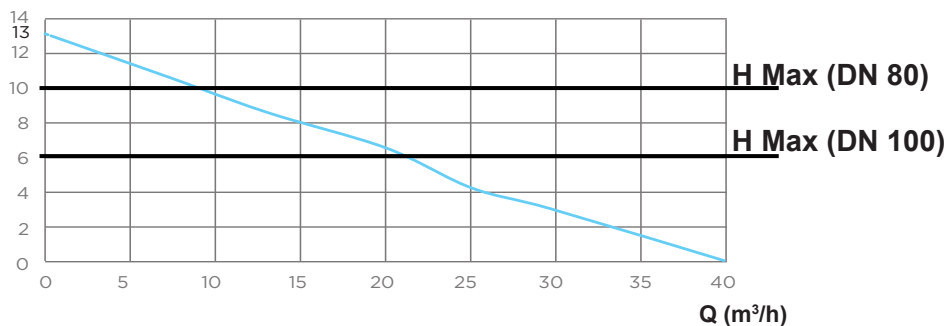


**Ø 100mm  
or 110mm Ext.**  
For inlet pipe



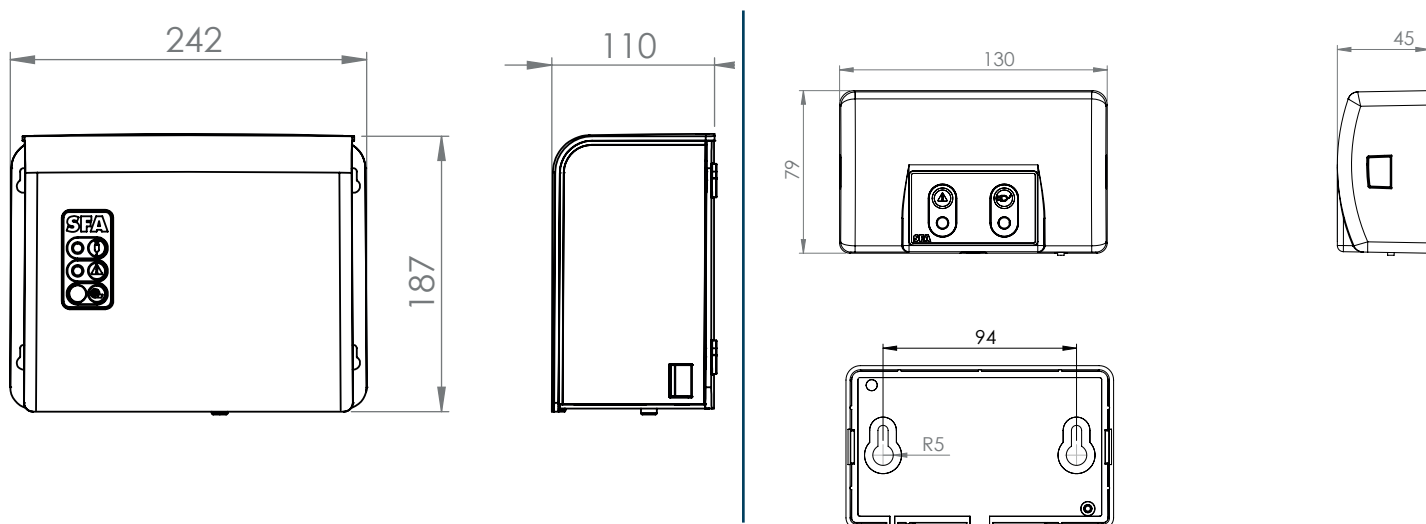


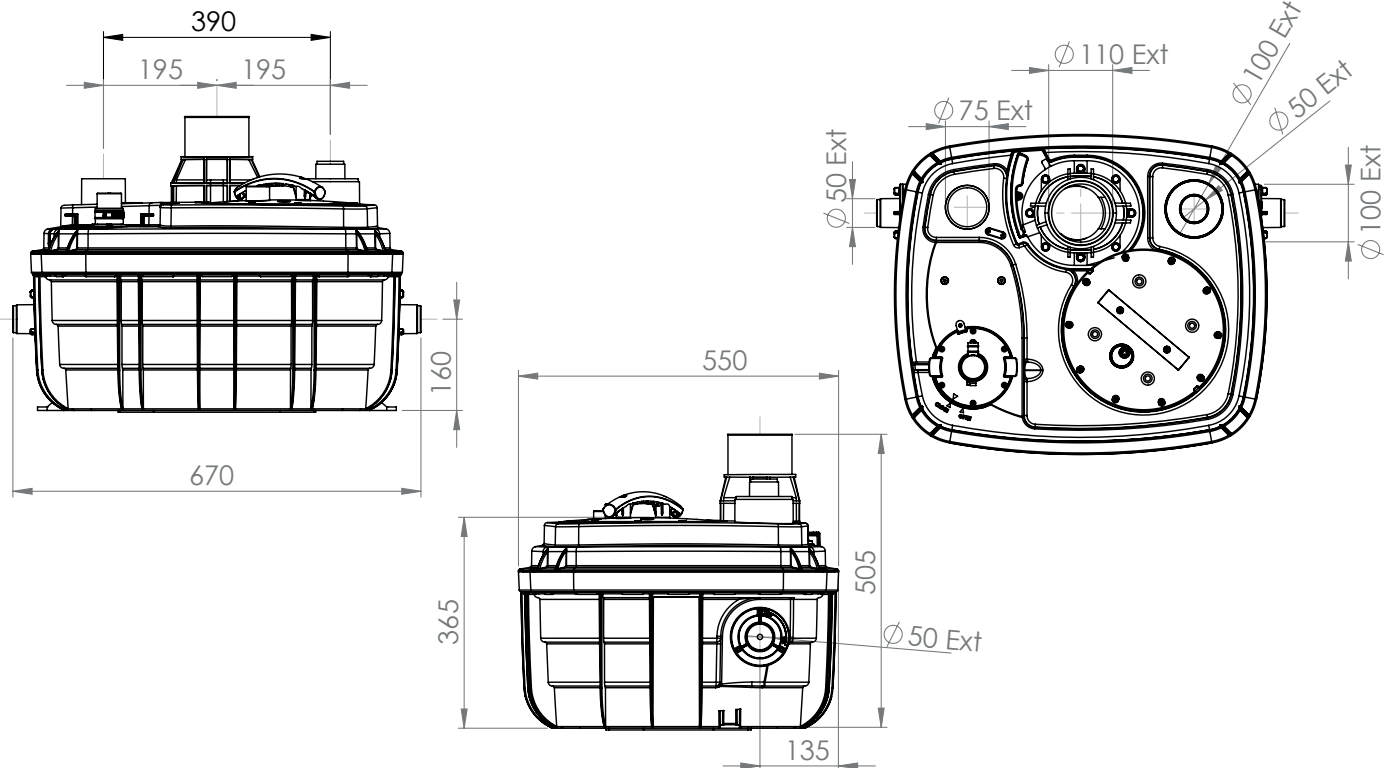
H (m)  
H Max 13m



## SANICUBIC 1 VX EN 12050-1

Data specifications	
Type of current	1 phase
Voltage	220-240V
Frequency	50-60 Hz
Motor rating	2 kW
Current	8 A
Cable (4m) sensor - control box	H07RN-F 3X1,5
Cable (4m) engine - control box	H07RN-F 4G1,5
Cable (2,5m) Power supply cable	H07RN-F 3G1,5
Protection code	Station: IP68, control box: IPX4
Max. discharge height (Q=0m³/h)	13 m
Max. flow rate	40 m3/h
Max temperature	35°C (70°C , 5 min)
Free passage	50 mm
Tank volume	60 L
Useful volume	21 L
ON / OFF level activation	165 mm /65 mm
ON alarm activation	235 mm
Weight including accessories	30 kg
Discharge	Øext 110 mm
Inlet	Øext 125,110,100,50,40 mm
Ventilation	Øext 75 mm





#### FRANCE

##### SOCIÉTÉ FRANÇAISE D'ASSAINISSEMENT

41 bis avenue Bosquet - 75007 Paris  
Tel. +33 1 44 82 39 00  
Fax +33 1 44 82 39 01

#### UNITED KINGDOM

**SANIFLO Ltd.**,  
Howard House, The Runway  
South Ruislip Middx.,  
HA4 6 SE  
Tel. +44 208 842 0033  
Fax +44 208 842 1671

#### IRELAND

**SANIRISH Ltd**  
IDA Industrial Estate  
Edenderry - County Offaly  
Tel. + 353 46 9733 102  
Fax + 353 46 97 33 093

#### AUSTRALIA

**SANIFLO (Australasia) Pty Ltd**  
Unit 9/10, 25 Gibbes Street  
Chatswood NSW 2067  
Tel. +61 298 826 200  
Fax +61 298 826 950

#### DEUTSCHLAND

**SFA SANIBROY GmbH**  
Waldstr. 23 Geb. B5 - 63128  
Dietzenbach  
Tel. (060 74) 30928-0  
Fax (060 74) 30928-90

#### ITALIA

**SFA ITALIA spa**  
Via del Benessere, 9  
27010 Sizzano (PV)  
Tel. 03 82 61 81  
Fax 03 82 61 8200

#### ESPAÑA

**SFA S.L.**  
C/ Vinyalets, 1 - Pl. Can Vinyalets  
08130 Sta. - Perpètua de Mogoda - Barcelona  
Tel. +34 93 544 60 76  
Fax +34 93 462 18 96

#### PORTUGAL

**SFA, Lda.**  
Sintra Business Park, ed.01-1ºP2710-089 SINTRA  
Tel. +35 21 911 27 85  
Fax +35 21 957 70 00

#### РОССИЯ

**SFA РОССИЯ**  
101000 Москва - Колпачный переулок 9а  
Тел. (495) 258 29 51  
Факс. (495) 258 29 51

#### SUISSE SCHWEIZ SVIZZERA

**SFA SANIBROY AG**  
Vorstadt 4  
3380 Wangen a. A.  
Tel. + 41 (0)32 631 04 74  
Fax + 41 (0)32 631 04 75

#### BENELUX

**SFA BENELUX B.V.**  
Industrieweg 1c-d,  
6101 WS ECHT  
Tel. +31 475 487100  
Fax +31 475 486515

#### SVERIGE

**SANIFLO AB**  
BOX 797  
S-191 27 Sollentuna  
Tel. +46 (0)8-404 15 30  
info@saniflo.se

#### POLSKA

**SFA POLAND Sp. z o.o.**  
ul. Białolecka 168  
03-253 Warszawa  
Tel. (+4822) 732 00 32  
Fax (+4822) 751 35 16

#### ČESKÁ REPUBLIKA

**SFA-SANIBROY, spol. s r.o.**  
Sokolovská 445/212, 180 00 Praha 8  
Tel. +420 266 712 855  
Fax, +420 266 712 856

#### ROMANIA

**SFA SANIFLO S.R.L.**  
145B Foisorului Street District 3  
31177 BUCURESTI  
Tel. +40 256 245 092  
Fax +40 256 245 029

#### TÜRKIYE

**SFA SANIHYDRO LTD STI**  
Mecidiye Cad No:36-B Sevencan APT  
34394 MECIDIYEKÖY - ISTANBUL  
Tel. +90 212 275 30 88  
Fax, +90 212 275 90 58

#### CHINA

**SFA 中国**  
上海市静安区石门二路333弄3号振安  
广场恒安大厦27C (200041)  
Tel. +86(0)21 6218 8969  
Fax. +86(0)21 6218 8970

#### KOREA

**www.SFA.biz**  
sales@saniflo-korea.kr

#### South Africa

**Saniflo Africa (PTY) Ltd**  
Unit A6 , Spearhead Business Park  
Cnr. Freedom Way & Montague Drive  
Montague Gardens, 7441  
Tél : +27 (0) 21 286 00 28  
**www.saniflo.co.za**

#### BRAZIL

**SFA Brasil Equipamentos Sanitários,**  
Rua Maria Figueiredo 595  
CEP 04002-003 SAO PAULO / SP  
Tel. (11) 3052-2292  
santrit@santrit.com.br

#### NEW ZEALAND

**Saniflo New Zealand Ltd**  
PO Box 383 Royal Oak,  
Auckland 1345  
Tel : 09 390 4615  
Fax : +61 2 9882 6950

## SERVICE HELPLINES

	TEL	FAX		
France	01 44 82 25 55	03 44 94 46 19	Benelux	+31 475 487100 +31 475 486515
United Kingdom	08457 650011 (Call from a land line)	020 8842 1671	Sverige	+46 (0)8-404 15 30
Ireland	1850 23 24 25 (LOW CALL)	+ 353 46 97 33093	Norge	+46 (0)8-404 15 30
Australia	+1300 554 779	+61.2.9882.6950	Polska	(+4822) 732 00 33 (+4822) 751 35 16
Deutschland	0800 82 27 82 0	(060 74) 30928-90	РОССИЯ	(495) 258 29 51 (495) 258 29 51
Italia	0382 6181	+39 0382 618200	Česká Republika	+420 266 712 855 +420 266 712 856
España	+34 93 544 60 76	+34 93 462 18 96	România	+40 256 245 092 +40 256 245 029
Portugal	+35 21 911 27 85	+35 21 957 70 00	Türkiye	+90 212 275 30 88 +90 212 275 90 58
Suisse Schweiz Svizzera	+41 (0)32 631 04 74	+41 (0)32 631 04 75	中国	+86(0)21 6218 8969 +86(0)21 6218 8970
			Brazil	(11) 3052-2292

Service information : [www.sfa.biz](http://www.sfa.biz)